

34x Optical Zoom High Speed Dome Camera

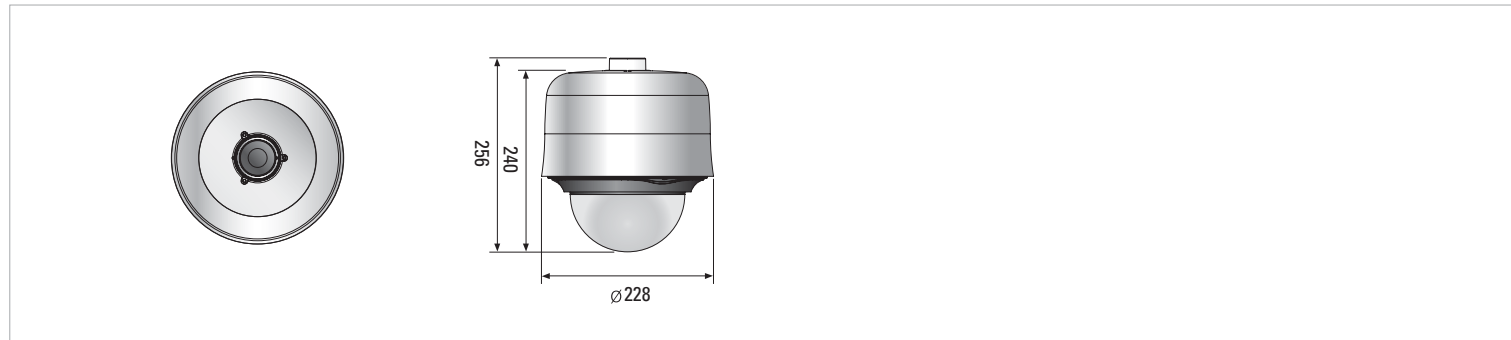
SCC-C7437/C7439 NEW



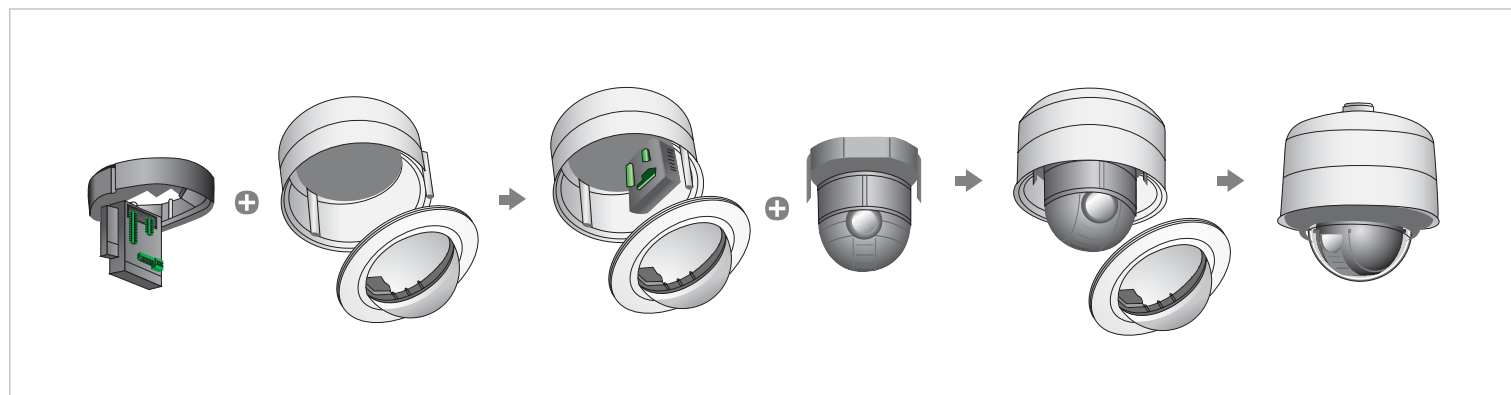
Features

- 1/4" SONY 410K/470K Pixels Super-HAD IT CCD (SCC-C7437)
- 1/4" SONY 410K/470K Pixels Ex-View HAD PS CCD (SCC-C7439)
- 34x Optical & 16x(0.1step) Digital Zoom
- High Resolution : 600 TV Lines
- Min. illumination 0.0007 Lux (F1.2, 15 IRE, Sens-up 512x, Color)
- 0.00007 Lux (F1.2, 15 IRE, Sens-up 512x, B/W)
- 0~360° Endless Pan, -6~186° Tilting (D-Flip)
- Pan/Tilt Speed Min. 0.01°/sec, Max. 600°/sec
- Preset 512 ea, Auto Pan 4 ea, Pattern 3 ea
- Wide Dynamic Range (NTSC 128x, PAL 160x) : SCC-C7439 Only
- Virtual Progressive Scan (VPS) : SCC-C7439 Only
- Day Night Function (ICR), Sens-up Function (512x)
- Adaptive Digital Noise Reduction (3D + 2D)
- Back Light Compensation (Area Setting)
- Advanced Motion Detection Function
- eXtended Dynamic Range (XDR)
- Privacy Mask Function (12ea)
- DIS (Digital Image Stabilization) • Time & Day Scheduling
- CCVC (Camera Control Via Coaxial cable, Controller : SCX-RD100)
- RS-485 (Half/Full)/RS-422 Control (Multi-Protocol support)
- Multi-Language OSD (E, F, G, S, I, J, R, P, C, etc) support
- Intelligent Video (Moved/Fixed/Fence/Tracking)
- Alarm Input 8 ea, Output 3 ea
- Operating Temp. : -50 ~ 50°C

Dimensions (unit:mm)



Easy Installation



Specifications

Model	SCC-C7437		SCC-C7439
Camera Type	Color/BW		
Image	Device	Color	
	Pixels	Effective	1/4" Super-HAD IT CCD / 1/4" ExView-HAD PS CCD
			768 x 494 (NTSC) / 752 x 582 (PAL)
Resolution	Horizontal		
	600 TV Lines		
Min. Scene Illumination	Color	Sens-up Off	0.6Lux(15IRE), 1.2Lux(30IRE), 2Lux(50IRE)
		Sens up 512x	0.001Lux(15IRE), 0.002Lux(30IRE), 0.004Lux(50IRE)
	B/W	Sens-up Off	0.06Lux(15IRE), 0.12Lux(30IRE), 0.2Lux(50IRE)
		Sens up 512x	0.0001Lux(15IRE), 0.0002Lux(30IRE), 0.0004Lux(50IRE)
Pan/Tilt	Speed	Manual Pan	0.01°/sec ~ 180°/sec
		Preset Pan	600°/sec
		Manual Tilt	0.01°/sec ~ 180°/sec
		Preset Tilt	600°/sec
	Range	Panning / Tilting	0°~360°(Endless) / -6°~186°
	Number of Auto PAN		4 ea
	Number of Preset		512 ea
	Number of Pattern		3 ea
Functions	Number of Privacy Zone		12 ea
	Day/Night / Motion Detection		Auto / Day / Night(ICR) / Yes, Sensitivity 1~7 Level
	Wide Dynamic Range		- / Yes (NTSC:128x, PAL:160x)
	D-Zoom / High Speed Shutter		Yes(~16x) / 1/100~1/10K sec
	Sens Up / BLC		Yes(2x ~ 512x) / Off/On
	AGC		Off/On (Very Low / Low / Mid / High / Very High / User / Fix)
	Auto Focus		Manual / Auto (pan, tilt, zoom linked) / one AF
	Synchronization		Internal / Line lock
	Camera ID		Max 54 Character, 2 Line
	VPS(Virtual Progressive Scan)		- / Yes
	XDR(eXtended Dynamic Range)		Off/On(Low/Middle/High)
	DNR(Digital Noise Reduction)		Off/On(Low/Middle/High/User(3D/2D))
	Schedule		Day / Time Schedule
	White Balance		ATW1 / ATW2 / AWC(Manual) / 3200 / 5600
Video Output	VBS 1.0Vp-p		VBS 1.0Vp-p
S/N Ratio	52 dB		
Lens	Focal Length / Min. Object Distance		3.4 ~ 115.6mm / 100cm
	Zoom Ratio / Aperture Ratio		34x Optical (544x with 16x Digital zoom) / F1.65(W)/F3.7(T)
	Viewing Angle	Tele	1.77°(H) x 1.33°(V)
		Wide	57.58°(H) x 44.44°(V)
	Lens Drive Type / Mount Type		DC Auto Iris / Board-in type
OSD	Yes		
Alarm	Input / Output		8 ea / 3 ea (2 Open Collector, 1 relay)
Remote Control	RS485(Half/Full Duplex) / RS422, CCVC		
Environmental Conditions	Operating Temperature		-50°C ~ +50°C
	Operating Humidity		Less than 90%
Power	Power Requirement		24 VAC
	Power Consumption		16W / 47W(with fan/Heater)
	LED Indicator		Yes
Physical Specification	Dimensions		228(Ø) x 256(H)mm
	Weight		3.0kg
	Color		Light Gray