

# Super High-Resolution DayNight WDR Dome Camera

## SCC-B5367/B5369

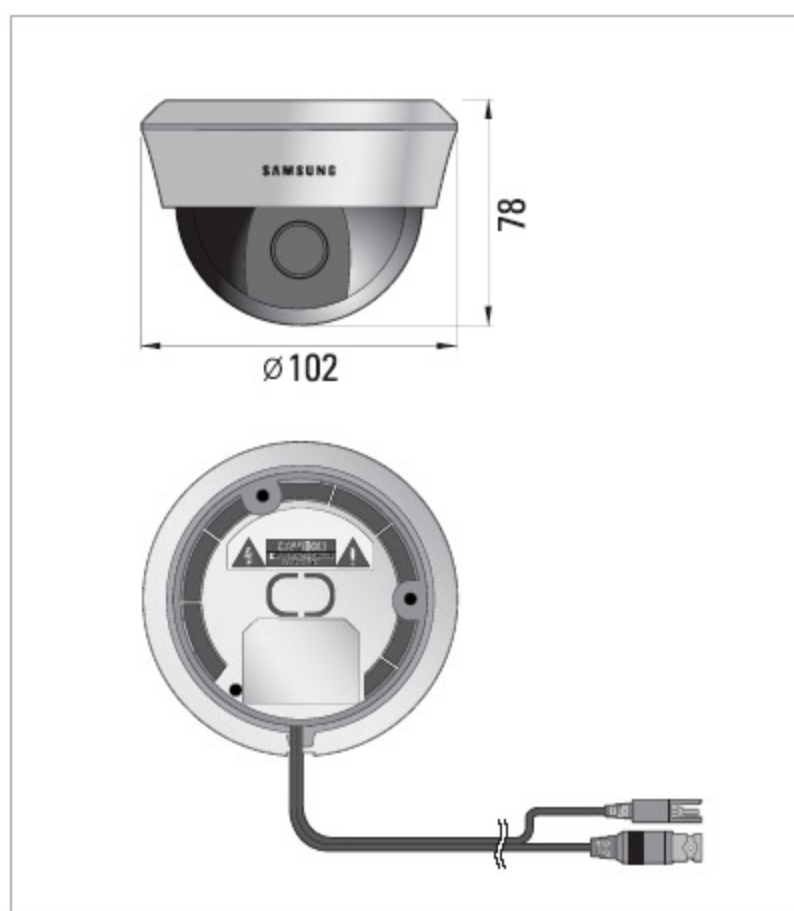
NEW



### Features

- 1/3" SONY 410K/470K Pixels Super-HAD PS CCD
- High Resolution : 600 TV Lines
- Min. illumination  
0.00023Lux (F1.2, 15 IRE, Sens-Up 512x, Color)  
0.000023Lux (F1.2, 15 IRE, Sens-Up 512x, B/W)
- SCC-B5367 : f=2.5~6 mm, Auto Iris Lens  
SCC-B5369 : f=2.8~11 mm, Auto Iris Lens
- Wide Dynamic Range (WDR)
- Virtual Progressive Scan (VPS)
- Internal/Linelock (Phase Control) Function
- Day/Night Function (ICR), Sens-Up Function (512x)
- Motion Adaptive Digital Noise Reduction (3D+2D)
- Back Light Compensation (Area Setting)
- Advanced Motion Detection Function
- eXtended Dynamic Range (XDR)
- Privacy Mask Function (Polygonal Mosaic)
- DIS (Digital Image Stabilization)
- CCVC (Camera Control Via Coaxial cable, Controller : SCX-RD100)
- Multi-Language OSD support
- Intelligent Video (Moved / Fixed / Fence / Area / Tracking)
- DC12V & AC24V 60Hz(50Hz)

### Dimensions (unit:mm)



### Specifications

| Model                        | SCC-B5367N/B5369N           |                                 | SCC-B5367P/B5369P   |                      |  |
|------------------------------|-----------------------------|---------------------------------|---|----------------------|--|
| Camera Type                  | Color/BW                    |                                 | Color   |                      |  |
| Image                        | Device                      |                                 | 1/3" Super-HAD PS CCD   |                      |  |
|                              | Pixels                      | Effective                       | 768 x 494   | 752 x 582            |  |
| Scanning                     | System                      |                                 | Interlace   |                      |  |
|                              | Horizontal                  | Internal Mode                   | 15,734 Hz   | 15,625 Hz            |  |
|                              |                             | Line-lock Mode                  | 15,750 Hz   | 15,625 Hz            |  |
|                              | Vertical                    | Internal Mode                   | 59.94 Hz  | 50 Hz                |  |
| Line-lock Mode               |                             | 60 Hz                           | 50 Hz   |                      |  |
| Resolution                   | Horizontal                  |                                 | 600 TV Lines  |                      |  |
| Min. Scene Illumination      | Color                       | Sens-up off                     | 0.12Lux(15IRE), 0.2Lux(30IRE), 0.4Lux(50IRE)@F1.2             |                      |  |
|                              |                             | Sens-up                         | 0.00023Lux(15IRE), 0.0005Lux(30IRE), 0.0008Lux(50IRE)@F1.2    |                      |  |
|                              | B/W                         | Sens-up off                     | 0.012Lux(15IRE), 0.02Lux(30IRE), 0.04Lux(50IRE)@F1.2          |                      |  |
|                              |                             | Sens-up                         | 0.000023Lux(15IRE), 0.00005Lux(30IRE), 0.00008Lux(50IRE)@F1.2 |                      |  |
| Functions                    | Number of Privacy Zone      |                                 | 12 (Polygonal Method)   |                      |  |
|                              | Day/Night                   |                                 | Color/BW/AUTO/EXT (ICR)                                       |                      |  |
|                              | Motion Detection            |                                 | Off/On  |                      |  |
|                              | Wide Dynamic Range          |                                 | Off/On  |                      |  |
|                              | D-Zoom                      |                                 | 1x ~16x (0.1x STEP)   |                      |  |
|                              | High Speed Shutter          |                                 | 1/60 ~1/10Ksec(OSD)   | 1/50 ~ 1/10Ksec(OSD) |  |
|                              | Sens Up / BLC / AGC         |                                 | 2x ~ 512x / Off/On / Off/On                                   |                      |  |
|                              | Line Lock / Camera ID       |                                 | Off/On (Phase Control) / Off/On (Max.54ea/2Line)              |                      |  |
|                              | White Balance               |                                 | ATW1/ATW2/AWC/MANUAL  |                      |  |
|                              | eXtended Dynamic Range      |                                 | Off/Low/Mid/High  |                      |  |
|                              | Digital Noise Reduction     |                                 | Off/On  |                      |  |
|                              | Digital Image Stabilization |                                 | Off/On  |                      |  |
|                              | Intelligent Video           |                                 | Off/On(Moved / Fixed / Fence / Area / Tracking)               |                      |  |
|                              | PIP                         |                                 | Off/On  |                      |  |
| Virtual Progressive Scan     |                             | Off/On                          |   |                      |  |
| Etc. Function                |                             | Detail, Reverse(H/V), Posi/Nega |   |                      |  |
| Video Output                 | VBS 1.0Vp-p                 |                                 | VBS 1.0VpN/Ap   |                      |  |
| S/N Ratio                    | 52 dB                       |                                 |   |                      |  |
| Lens                         | Focal Length                |                                 | SCC-B5367:2.5~6mm / SCC-B5369:2.8~11mm                        |                      |  |
|                              | Aperature Ratio             |                                 | F1.2  |                      |  |
|                              | Viewing Angle               | Tele                            | SCC-B5367:46°(H) x 34°(V) / SCC-B5369:28.8°(H) x 21.6°(V)     |                      |  |
|                              |                             | Wide                            | SCC-B5367:108°(H) x 80°(V) / SCC-B5369:94.6°(H) x 68.4°(V)    |                      |  |
| Lens Drive Type / Mount Type |                             | AI(DC) / Board Type             |   |                      |  |
| OSD                          | Yes                         |                                 |   |                      |  |
| Remote Control               | CCVC / RS485                |                                 | Yes (with SCX-RD100) / Yes (Multi Protocol, 8ea)              |                      |  |
| Environmental Conditions     | Operating Temperature       |                                 | Absolute : -10°C ~ +50°C / Sustained : -20°C ~ +60°C          |                      |  |
|                              | Operating Humidity          |                                 | Less than 90%   |                      |  |
| Power                        | Power Requirement           |                                 | 24 VAC ±10%/12 VDC ±10%                                       |                      |  |
| Physical                     | Dimensions                  |                                 | 102(ø) x 78(H) mm   |                      |  |
| Specification                | Weight                      |                                 | 330 g   |                      |  |
|                              | Color                       | Body                            | White   |                      |  |