

DayNight Vari-Focal Dome Camera

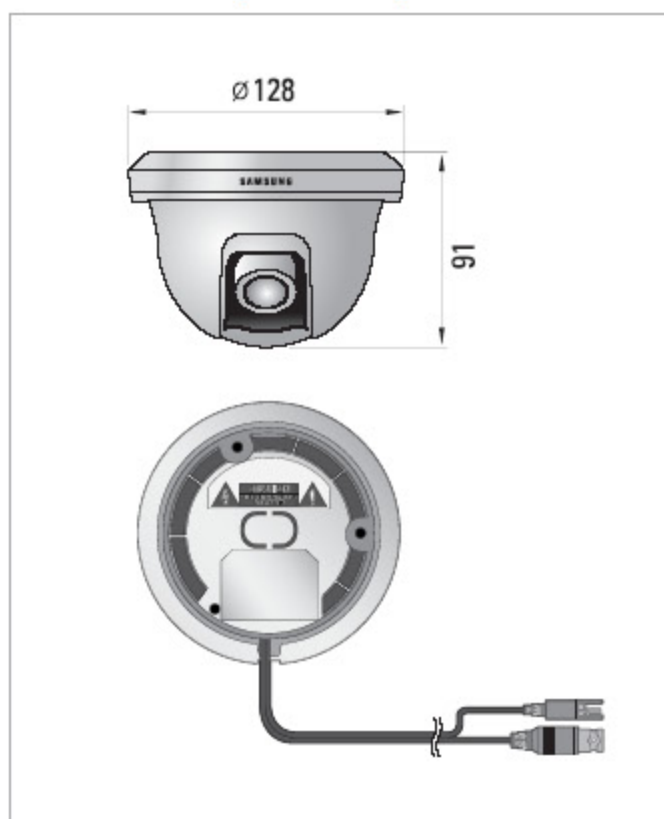
SCC-B5343/B5345 NEW



Features

- 1/3" SONY 410K/470K Pixels Super-HAD IT CCD
- Vari-Focal lens
 SCC-B5343 : f=2.5~6mm
 SCC-B5345 : f=2.9~10mm
- Day/Night function (ICR)
- High resolution : 540 TV lines
- DNR (Digital Noise Reduction)
- Min. illumination :
 0.0009(Color)/0.00009(BW) Lux (F1.2, 15IRE, Sens-up 128x)
- Dynamic CCD Defect Compensation
- 3-Way Gimbals Structure
- AC24V/DC12V Dual Power (Line Lock)

Dimensions (unit:mm)



Specifications

Model	SCC-B5343N/B5345N		SCC-B5343P/B5345P
Camera Type	Color/BW		Color
Image	Device		1/3" Super-HAD IT CCD
	Pixels	Effective	768 x 494 / 752 x 582
Scanning	System		Interlace
	Horizontal	Internal Mode	15,734 / 15,625
		Line-lock Mode	15,750 / 15,625
	Vertical	Internal Mode	59.94 / 50
Line-lock Mode		60 / 50	
Resolution	Horizontal		540(Color)/570(BW) TV Lines
Min. Scene Illumination	Color		0.12 Lux(15IRE, Off) 0.0009 Lux(15IRE, Sens-up 128x)
	BW		0.012 Lux(15IRE, Off) 0.00009 Lux(15IRE, Sens-up 128x)
PAN/TILT	Panning		Left 255° / Right 100° / Total 355°(Manual)
	Tilting		0 ~ 90°(Manual)
Functions	Day/Night		On/Off (ICR)
	Sens Up		On(128x) / Off
	BLC		On/Off
	AGC		On/Off
	Line Lock		On/Off
	White Balance		ATW/AWC
	Video Output		VBS 1.0Vp-p / VBS 1.0VpN/Ap
S/N Ratio			50 dB
Lens	Focal Length		SCC-B5343 : 2.5~6mm / SCC-B5345 : 2.9~10mm
	Viewing Angle	Tele	SCC-B5343 : 46°(H) x 34°(V) / SCC-B5345 : 28.8°(H) x 21.6°(V)
		Wide	SCC-B5343 : 108°(H) x 80°(V) / SCC-B5345 : 94.6°(H) x 68.4°(V)
	Lens Drive Type		DC Auto Iris
	Mount Type		Board-In type
Environmental Conditions	Operating Temperature		-10°C ~ +50°C
	Operating Humidity		Less than 90%
Power	Power Requirement		24 VAC ±10% / 12 VDC ±10%
	Power Consumption		1.7W
Physical Specification	Dimensions		128(ø) x 91(H)mm
	Weight		293g
	Color	Body	White