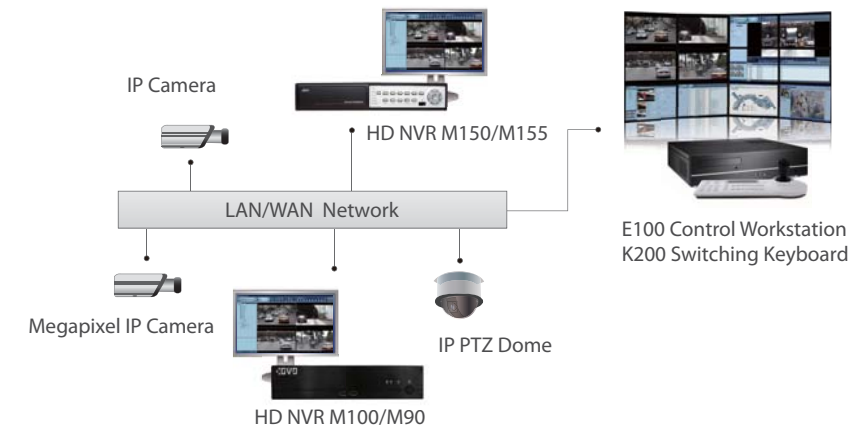


M90/M100 Series

Network Video Recorder



System Diagram



GVD M100 is a compact and innovative all in one recording solution for multi-camera monitoring, recording and playback. Measuring only 27 cm (approximately 11 inches), it offers unsurpassed security operations in a space-saving design. It is an ideal solution for small to mid-sized installations, including retails and small branch offices.

- 1 Mini desktop recorder with embedded system design
- 2 New front panel design for quick video operations
- 3 Reliable recording solution with local display capability and for remote client viewing high performance video streaming

Key Feature

- Pre-built 4, 8 and 12 channels licenses best for D1~3M installations
- Compact design with local VGA display capability
- Supports large data throughput for multiple megapixel cameras triplex video functions
- Easy video export function with DVD, USB or network disk drives
- Equips with the reliable and robust DOM-based virus resistant Windows embedded platform
- Operates with GVD HD NVR Client to meet the needs of simple remote monitoring

Storage Capability

Model	Channel	Compression	Resolution	FPS	7	10	15	30
M90	4	MPEG4	D1	Day	50	37	26	14
	4	H.264	1.3M		19	14	10	5
M100 M150	4	MPEG4	D1		100	75	53	28
	8	H.264	1.3M		19	14	10	5
	4+4	MPEG4 / H.264	D1 / 1.3M		27	21	15	8
M155	12	H.264	2.0M		10	7	5	

Each HDD is 1.5 TB

Camera Support List



Visit Genius Vision Digital Website
www.gvdigital.com



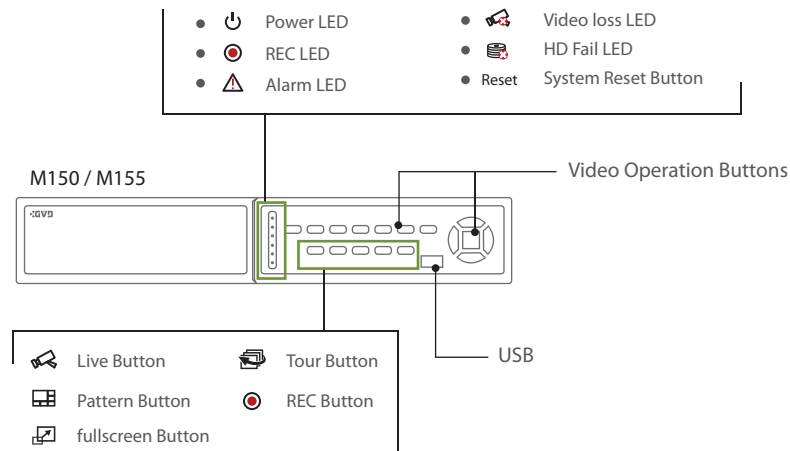
Vertical Market

Small to mid-sized installations, including retails and small branch offices.

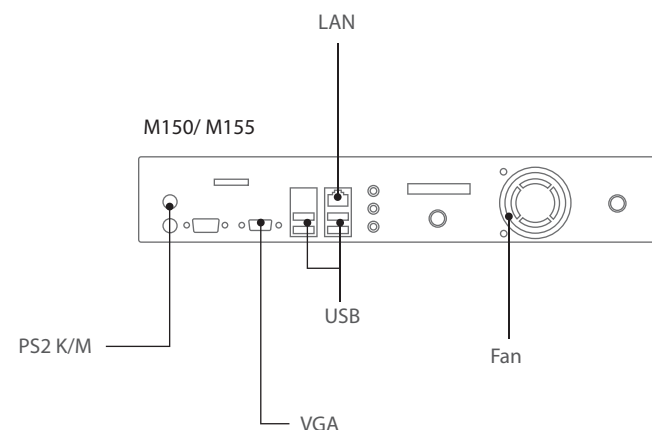
HD NVR Standalone

Mini embedded NVR for reliable recording

Front Panel Layout



Rear Panel Layout



Hardware Specification

Model No	M90	M100	M150	M155
Processor	Intel Atom D525	Intel Atom D525	Intel Atom D525	Intel Core2 Duo E6500
Memory	DDR2-800 2G	DDR2-800 2G	DDR2-800 2G	DDR2-800 4G
Operation System	Windows XP Embedded OS			
Hard Disk Drive	1	2	2	2
RAID Level	X			
Prebuilt License	4	12, 8, 4	12, 8, 4	12, 8, 4
Megapixel Recording	D1, 1.3M~10M			
Display Port	1			
Display Mode	16 camera layout	16 camera layout	16 camera layout	64 camera layout
LAN Port	Gigabit x 1	Gigabit x 1	Gigabit x 1	Gigabit x 1
USB Port	Front x 2 Rear x 4	Front x 2 Rear x 4	Front x 1 Rear x 4	Front x 1 Rear x 4
Dimensions (DxWxH) mm	305 x 220 x 65	273 x 300 x 65	320 x 345 x 59	320 x 345 x 59
Power Consumption	58 W	58 W	65 W	110 W
Power Supply	120W	120W	120W	150W
Voltage	100~240VAC(50~60Hz)			
Remote Access	E100 / E200 / HD NVR Client / Web Client / PDA Client			

M90 / M100 Series



Genius Vision Digital

*All specifications are subject to change without notice