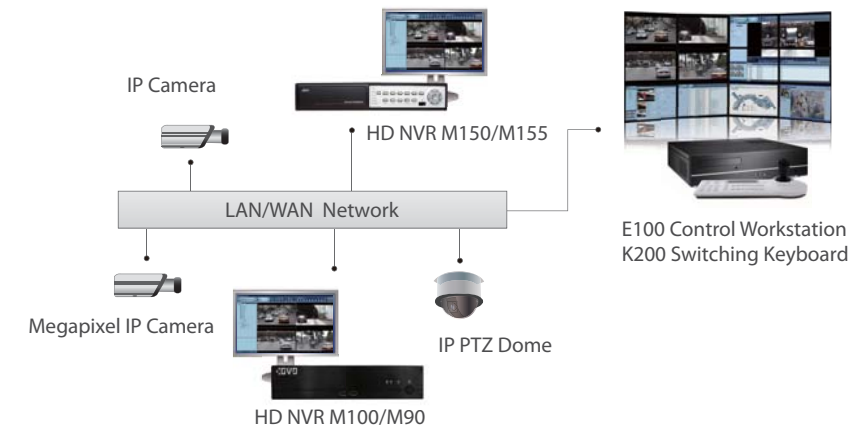


# M90/M100 Series

## Network Video Recorder



### System Diagram



GVD M100 is a compact and innovative all in one recording solution for multi-camera monitoring, recording and playback. Measuring only 27 cm (approximately 11 inches), it offers unsurpassed security operations in a space-saving design. It is an ideal solution for small to mid-sized installations, including retails and small branch offices.

- 1 Mini desktop recorder with embedded system design
- 2 New front panel design for quick video operations
- 3 Reliable recording solution with local display capability and for remote client viewing high performance video streaming

### Key Feature

- Pre-built 4, 8 and 12 channels licenses best for D1~3M installations
- Compact design with local VGA display capability
- Supports large data throughput for multiple megapixel cameras triplex video functions
- Easy video export function with DVD, USB or network disk drives
- Equips with the reliable and robust DOM-based virus resistant Windows embedded platform
- Operates with GVD HD NVR Client to meet the needs of simple remote monitoring

### Storage Capability

Model	Channel	Compression	Resolution	FPS	7	10	15	30
M90	4	MPEG4	D1	Day	50	37	26	14
	4	H.264	1.3M		19	14	10	5
M100 M150	4	MPEG4	D1		100	75	53	28
	8	H.264	1.3M		19	14	10	5
	4+4	MPEG4 / H.264	D1 / 1.3M		27	21	15	8
M155	12	H.264	2.0M		10	7	5	

Each HDD is 1.5 TB

### Camera Support List



Visit Genius Vision Digital Website  
[www.gvdigital.com](http://www.gvdigital.com)



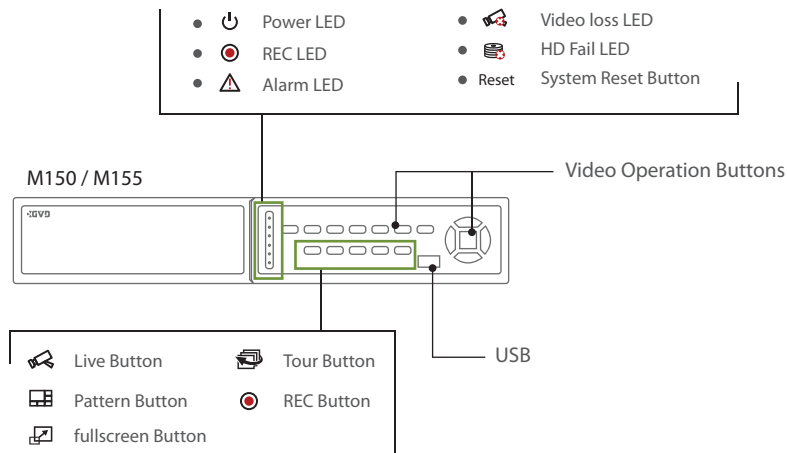
### Vertical Market

Small to mid-sized installations, including retails and small branch offices.

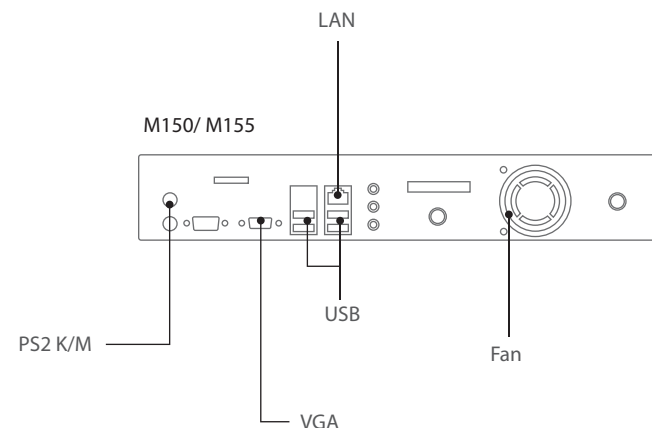
# HD NVR Standalone

Mini embedded NVR for reliable recording

### Front Panel Layout



### Rear Panel Layout



### Hardware Specification

Model No	M90	M100	M150	M155
Processor	Intel Atom D525	Intel Atom D525	Intel Atom D525	Intel Core2 Duo E6500
Memory	DDR2-800 2G	DDR2-800 2G	DDR2-800 2G	DDR2-800 4G
Operation System	Windows XP Embedded OS			
Hard Disk Drive	1	2	2	2
RAID Level	X			
Prebuilt License	4	12, 8, 4	12, 8, 4	12, 8, 4
Megapixel Recording	D1,1.3M~10M			
Display Port	1			
Display Mode	16 camera layout	16 camera layout	16 camera layout	64 camera layout
LAN Port	Gigabit x 1	Gigabit x 1	Gigabit x 1	Gigabit x 1
USB Port	Front x 2 Rear x 4	Front x 2 Rear x 4	Front x 1 Rear x 4	Front x 1 Rear x 4
Dimensions (DxWxH) mm	305 x 220 x 65	273 x 300 x 65	320 x 345 x 59	320 x 345 x 59
Power Consumption	58 W	58 W	65 W	110 W
Power Supply	120W	120W	120W	150W
Voltage	100~240VAC(50~60Hz)			
Remote Access	E100 / E200 / HD NVR Client / Web Client / PDA Client			

### M90 / M100 Series



Genius Vision Digital

\*All specifications are subject to change without notice