

# GJD EMERALD MK3 LIGHTING CONTROLLER

221199

The GJD EMERALD is a two zone, multi-sensor security lighting controller designed for indoor use only and is compatible with: GJD OPAL XL and GJD ELITE outdoor detectors. GJD RADIUS LUX indoor detector.

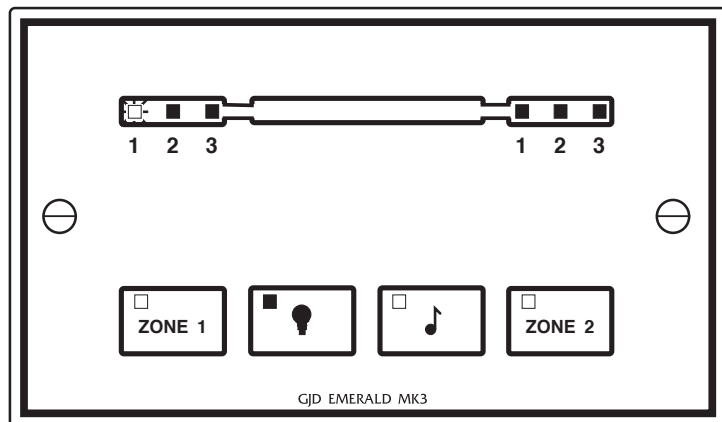


Illustration shows normal button selection - zone 1 detector 1 active

**SPECIFICATIONS:**  CLASS 2 independently mounted control.

**SUPPLY:** 230Vac 50Hz via ELCB/MCB. - unit fused at 13A.

**INDICATION:** 3 x 24 hr detector indicators per zone - pulsed during detection - and steady after detection for the duration of the light on timer.

**AUDIBLE:** Internal sounder - button selectable sounds with detection day and night. Steady tone for zone 1, pulsed tone for zone 2.

**CONTROL:** 4 x Selection buttons with individual indicators.

**OPTIONS:** Link zones, timed AUX output and silent operation.

**SIZE:** 146 x 86 x 56 mm

**MOUNTING:** Mount in a clean dry location on a secure flat surface. Indoor use only

**TEMPERATURE:** -10 to + 55 centigrade.

## OPERATING THE GJD EMERALD MK3 LIGHTING CONTROLLER


When the unit is first connected or if the electrical supply is interrupted, indicators 1 and 3 on zones 1 and 2 respectively will flash for 1 minute whilst the system settles. Pressing any button during this time will start normal operation.

When a detection takes place day or night the relevant detector indicator flickers and the beep sounds, if selected, whilst detection takes place. Multiple beeps indicate that more than one detection has taken place. Detector indicator/s will stay lit for a the preset time after detection.

During darkness, lighting is automatically controlled on detection.


Pressing any button will toggle the respective indicator on and off. Zone 1 and 2 buttons have respective function.


= lit     = flashing     = off


 Detector indicators.  
1 2 3



ZONE 1 Automatic operation on this zone.  
Detection will flash the corresponding red detector indicator/s.


ZONE 1 Lighting and beep off for this zone.  
Cancels any detector indicators.

 ZONE 1 Lighting on for the timer setting after detection.

 Manual lighting override if the zone is selected.

 Lighting in automatic.

  Detection has automatically turned the selected zone lighting on.

 Beep selected - zone 1 or 2 also requires setting to function.  
Zone 1 gives a steady tone whilst zone 2 gives an intermittent tone.

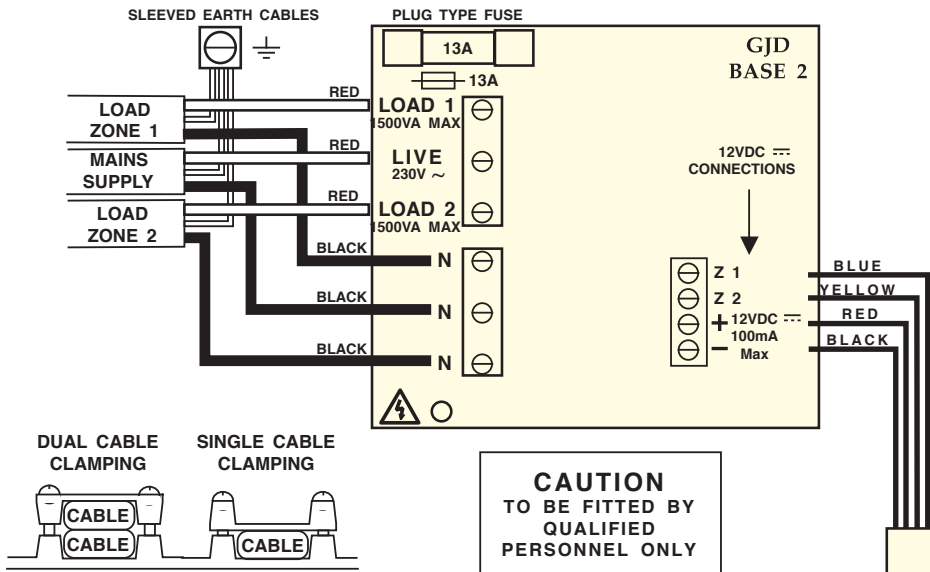
 Beep off.

Other features of the controller are set from the rear of the unit:-

# GJD EMERALD MK3 LIGHTING CONTROLLER

## MAINS VOLTAGE CONNECTIONS

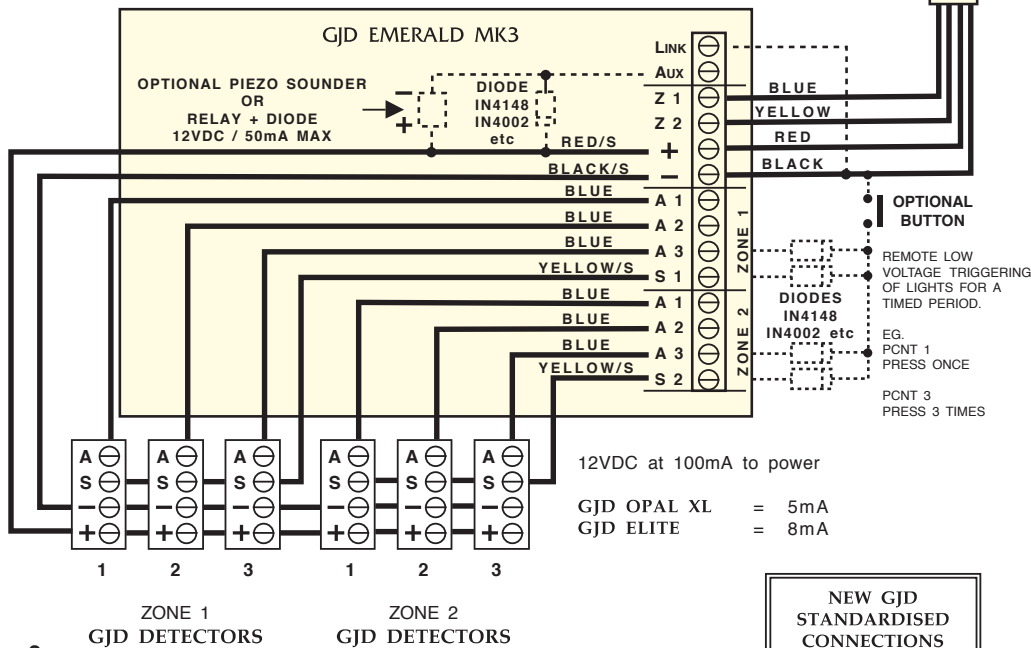
RECOMMENDED CABLE 1.5mm FLAT TWIN & EARTH



## LOW VOLTAGE CONNECTIONS

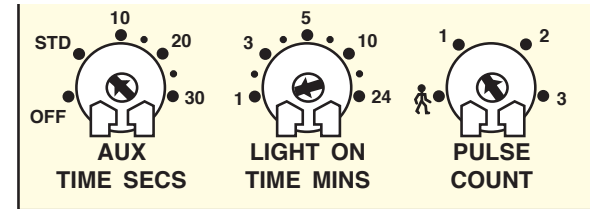
RECOMMENDED CABLE 4/6 CORE 7/0.2mm

LINK = ANY DETECTOR WILL ACTIVATE BOTH ZONES (except in walk test mode)



# GJD EMERALD MK3 LIGHTING CONTROLLER

## INTERNAL ADJUSTMENTS



Factory settings shown.

### AUX TIME SECS

AUX = AUXILIARY OUTPUT

**OFF**  
**STD**

Internal sounder and AUX output off, indicator and button disabled.  
STD internal sounder and AUX output active during detection when is selected. On detection the internal sounder emits a steady tone for Zone 1 and an intermittent tone for Zone 2.

**10 to 30 secs**

Continuous AUX output for either zone if selected, after last detection - suitable for remote sounders etc. The internal sounder as STD.

### LIGHT ON TIME MINS

**1 to 24 mins**

The red detector indicators will stay on for this time after the last detection. During darkness the relevant green and yellow indicators will flash indicating which zone of lighting has been automatically activated. The lighting will stay on for this time.

### PULSE COUNT

Setup only

The detector coverage can be monitored using the external lighting day or night. The lighting on time is automatically reduced to 6 seconds.

**1, 2 or 3**

The number of beams that have to be crossed to trigger the system.  
1 will give a fast response.  
2 gives better immunity with good response.  
3 gives highest immunity to false activations in poor environments but is less responsive.

Caution if this equipment is intended for applications not specified please contact GJD before installation. GJD reserve the right to alter the specification without notice.