

## EASY WIRE - SOLITAIRE LIGHTING SYSTEM & 8 WAY VIDEO MANAGER

If you are installing the 8 way Video Manager with the GJD4 Zone Solitaire Lighting System you are able to transfer the detection activity signals from the Solitaire Lighting Controller to the Video Manager by using just three cores of the alarm lead. (Purple = R, Brown = C, and screen)

This eliminates the need for all individual wiring between the GJD detectors and the Video Manager.

The following indicates which detector input would control each individual camera:

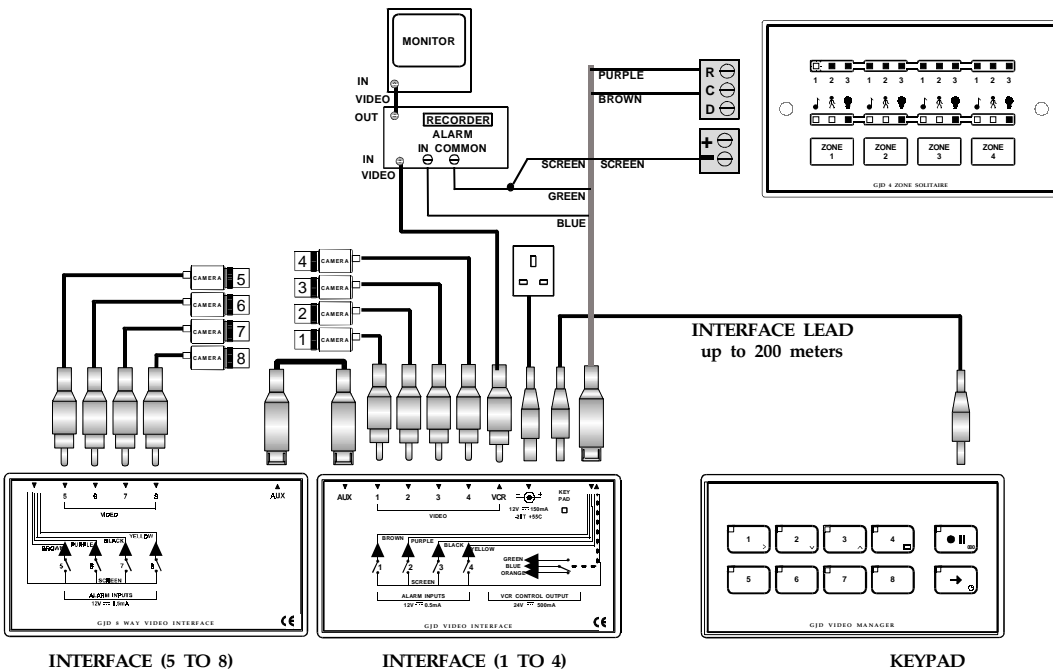
### SOLITAIRE EXPANSION UNIT NO. 1

- Detector 1 on Zone 1 will activate Camera 1
- Detector 2 on Zone 1 will sequence 1 & 2
- Detector 3 on Zone 1 will activate Camera 2
- Detector 1 on Zone 2 will activate Camera 3
- Detector 2 on Zone 2 will sequence 3 & 4
- Detector 3 on Zone 2 will activate Camera 4

### SOLITAIRE EXPANSION UNIT NO. 2

- Detector 1 on Zone 3 will activate Camera 5
- Detector 2 on Zone 3 will sequence 5 & 6
- Detector 3 on Zone 3 will activate Camera 6
- Detector 1 on Zone 4 will activate Camera 7
- Detector 2 on Zone 4 will sequence 7 & 8
- Detector 3 on Zone 4 will activate Camera 8

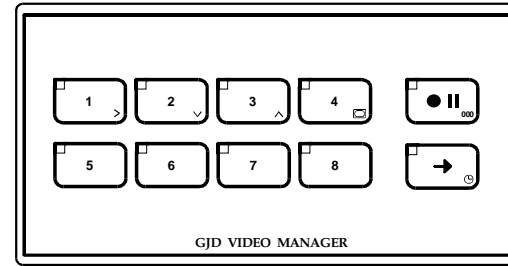
## EASY-WIRE CONNECTIONS - On Screen GJD Logo



All connection lead distances up to 200 metres

## GJD 8 Way Video Manager Installation Manual

THE GJD 8 WAY VIDEO SWITCHER FOR EITHER BLACK & WHITE OR COLOUR CCTV SYSTEMS INCORPORATES AN ON-SCREEN DISPLAY, A TIME AND DATE GENERATOR, VIDEO INPUTS AND ALARM INPUTS ALL IN ONE SYSTEM.



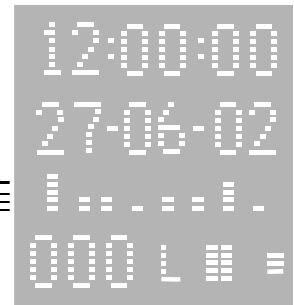
THE UNIQUE TWO WIRE LOW VOLTAGE CONTROL KEYPAD CAN BE SITED UP TO 200 METRES AWAY AND IS REMOVABLE FOR SECURE INSTALLATIONS.

### SPECIFICATION:

- 8 x Video inputs
  - 1V into 75R phono(or BNC adaptor)
- 8 x Alarm inputs
  - Normally open or switched negative
- 1 x VCR / Monitor output
  - 1V into 75R phono
- 1 x Alarm output - volt free contact
  - @500mA at 24V
- 12VDC @ 250mA supply
  - power for GJD Video Manager
- 12DVC @ 120mA output for
  - GJD Cloner and GJD detectors

ON SCREEN DISPLAY - can be turned off if required

- Time and Date - active flashing colons
- Active Camera indication
- Alarm Activity Status
- Zone Selection View
- Event counter or record lapse timer
- Record and Sequence status
- Dwell time adjustable 1 to 9 seconds
- Alarm Memory adjustable 1 to 9 seconds
- Record Time adjustable 10 to 90 seconds



- Camera indicator blinks
- Camera 1 selected
- Alarm input
- Zone selected
- Zone markers

Example:  
Zones 1,2,3,5,6 & 7 have cameras selected  
Zone 1 & 7 alarm inputs are activated..  
Camera '1' is recording and will sequence to camera '7' during the alarm period.

- Remote Keypad via 2 cores 12V
  - data bus system up to 200 metres
  - additional keypads are optional
  - when required unpluggable to prevent unauthorised use for secure installations.

## OPERATION AND SETUP

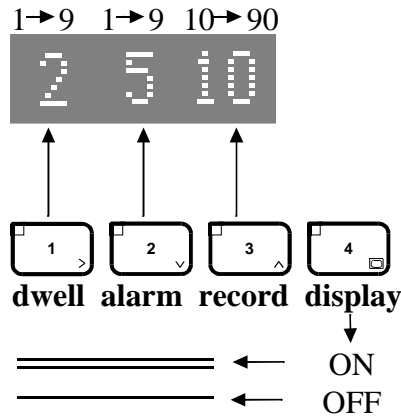
To select a zone to operate automatically in Sequence and Record mode, press and hold the Zone button for two seconds. The indicator for that zone will light, holding again for two seconds will turn the zone off.

A zone with continuous activity which does not require recording can be viewed by pressing the respective zone button.

DATE	Hours - Minutes - Seconds
TIME	Day - Month - Year
	L = Record activity timer in minutes E = Record output event counter
	Record standby
	Record output is operating
	Manual operation - alarm input inhibited
	Sequence OFF
	Sequence ON

### Record, Alarm and Dwell Times

To adjust these times press and hold the Sequence button for 2 seconds until the display changes, then release. When viewing the monitor each press of the button advances once



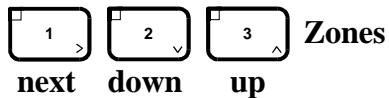
- Button '1' - adjusts the dwell time the time cameras are viewed before sequencing to the next.
- Button '2' - adjusts the alarm memory the time an alarm input is extended.
- Button '3' - adjusts the record time the VCR record signal after an alarm input.
- Button '4' - toggles display on and off.

### Sequence Mode.

When selected, it automatically searches for the next available camera with video signal.

### Record Standby

The record standby must be selected for the alarm inputs to operate.



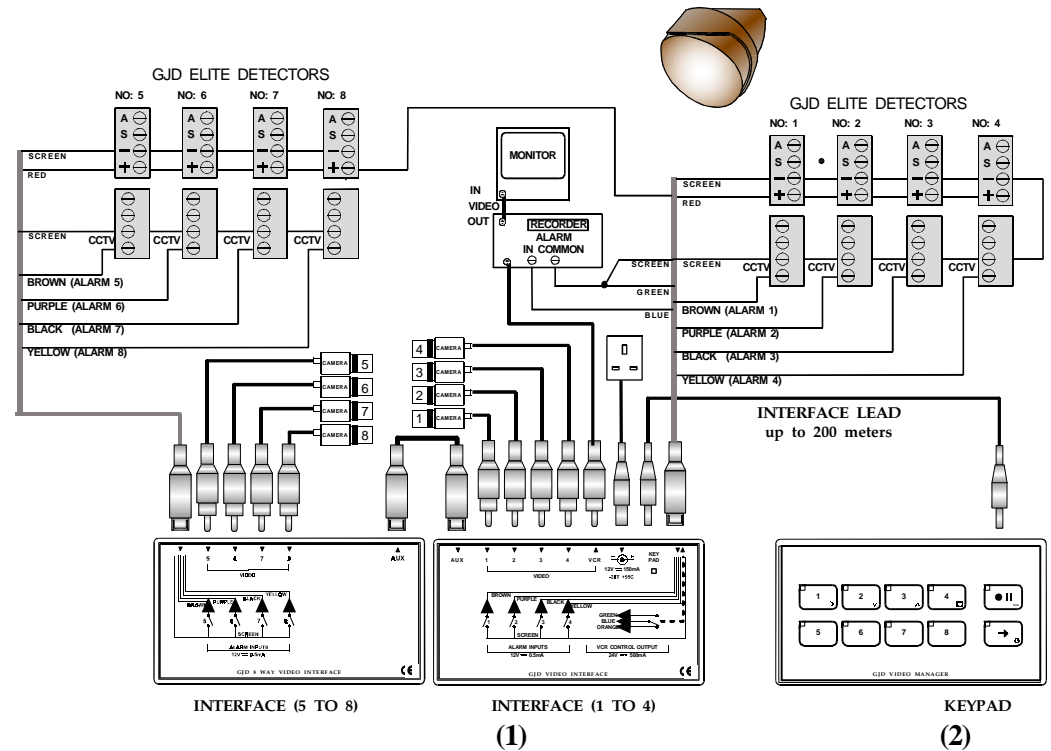
### Time & Date Setup

If the time & date flashes it requires setting. Press and hold the Sequence button for 5 seconds until the Year digit on the screen flashes, then release. Press & hold the 'down' and 'up' button to adjust. To advance to next digit press & hold the 'next' button. When the minutes have been set press 'next' to start the clock.

### RECORD LAPSE / EVENT COUNTER

To reset to zero press & hold the Record Standby button for 2 seconds, then release. To change between Lapse and Event mode hold for 4 seconds.

## WIRING DIAGRAM USING GJD ELITE P.I.R. OR SIMILAR DETECTORS



- (1) Unplugging the interface lead from the Interface unit will reset to factory settings.
- (2) Unplugging the interface lead at the Keypad end will retain all settings.

## WIRING DIAGRAM USING GJD OPAL XL P.I.R. DETECTORS

