

SSG-401/2, WSG-401/3, WSG-401/3DK, WSG-421/3

Compact weather- and dustproof housings

Product information

The compact weather- and dustproof housings of series 400 with its elegant design are applicable for various indoor or outdoor situations. The three cable glands in combination with the hinged housing body enable an easy and functional installation. All screws within the housing body are out of stainless-steel. Low voltage cameras as well as other accessories can be powered and adapted by using additional build-in mains units. A special designed ceiling mount type with integrated bracket is available (type 401/3DK). To prevent the front glass from mist all weatherproof variants are equipped with a temperature controlled front glass heater.

- Excellent price/performance ratio for 230 VAC cameras
- Aluminium case with V2A stainless-steel screws
- Internal camera mounting-height adjustment
- Temperature regulation via PTC heating element and additional safety thermostat
- Isolated camera mounting to avoid ground-loops
- VDE approved construction
- IP-66 protection rating
- TÜV approved safety (German safety standards authority)

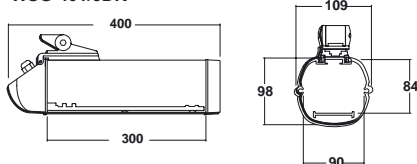


Technical data

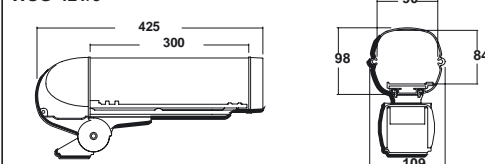
	SSG-401/2	WSG-401/3	WSG-401/3DK	WSG-421/3
Description	Dustproof housing without sun-shield, heater or safety thermostat	Weatherproof housing with sun-shield, self-regulating heater and safety thermostat	Weatherproof housing with sun-shield, self-regulating heater, integrated power connection board and safety thermostat	Weather proof housing with sun-shield, self-regulating heater, integrated power connection board and safety thermostat
Folding down	YES			
Concealed cable access	NO			YES
Finish	RAL 7032			
Case	Aluminium			
Heater supply	NO	230 VAC		
Cable access	3 x PG-9 cable glands			4 cable glands- (12 mm in diameter/ concealed access)
Outer dimensions in mm (W x H x D)	109 x 98 x 410			109 x 98 x 430
Usable internal size in mm (W x H x D)	80 x 75 x 300			
Protection rating	IP 66			
Weight	1,8 kg	2,6 kg	Approx. 3 kg	4,7 kg
Order No.	5.15741	5.15752	5.15756	5.15761
Accessories				
Type	WK-400	Ceiling mount incl.	Wall mount incl.	
Description	Adjustable, wall-mounting bracket with locking screw, RAL 7032 (pebble grey)	Ceiling mount bracket with locking screw, RAL 7032 (pebble grey)	Adjustable wall mount bracket with concealed cable access and locking screw, RAL 7032 (pebble grey)	
Order No.	5.18680	-	-	
Type	MK-300	-	MAK-W	
Description	Mast console	-	Mast mount adapter for the WSG-421	
Order No.	5.18370	-	5.18371	
Type	NT/DC-1500 mains unit			
Description	230 VAC / 12 VDC, 1500 mA			
Order No.	5.03630			

Series-400_EN 7.75606 06.12.2006

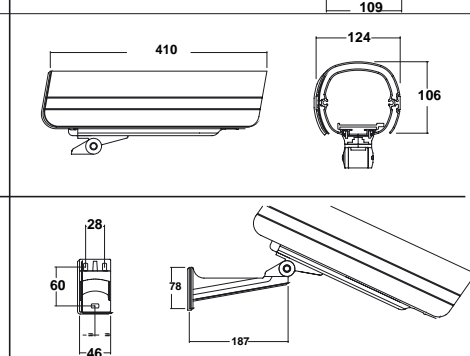
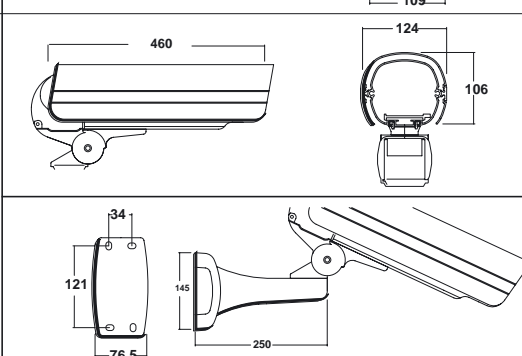
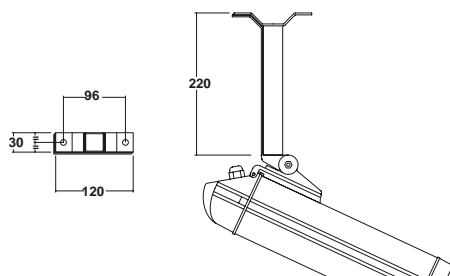
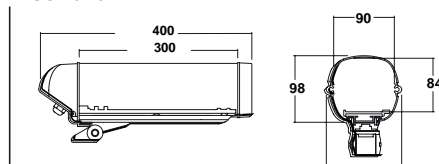
WSG-401/3DK



WSG-421/3



WSG-401/3



Technical alterations reserved

GEUTEBRÜCK GmbH · Im Nassen 7-9 · D-53578 Windhagen · Tel. +49 (0)2645 137-0 · Fax-999

E-mail: info@geutebrueck.de · Web: www.geutebrueck.de