

GVK-431/DC

Dual-mode System Camera (Day/Night)



Product information

The GVK-431/DC twin-mode system camera provides pin-sharp, high-contrast images round the clock. The integrated, mechanically pivoting infrared filter permits the camera to deliver impressive, brilliant colours by day and clean, black-and-white infrared images at night. Supported by parameterisable compensation for back-light and comprehensive facilities for adjustment, the camera provides perfect image quality at all times. The GVK-431/DC can also be quickly and efficiently mounted. Parameterisation can be carried out conveniently and economically from the central office over the RS-485 bus.

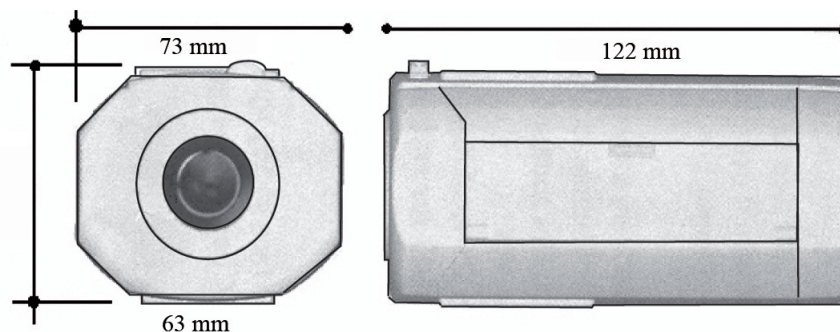
- | Day/night camera with IR-Cut filter
- | Remote set-up via RS-485
- | Electronic masking function ESF (privacy masking)
- | OSD menu for local set-up
- | Mechanical IR-cut-filter operation via RS-485, contact input or internal fuzzy logic control
- | Excellent price/performance ratio

GEUTEBRÜCK

Competence in Video Security

Technical data

Image sensor (Chip)	1/3" Sony HQ1 Super-HAD-CCD
Video standard	CCIR/PAL (Composite)
Video output	Composite video: 1 Vpp, 75 Ohm (BNC)
Scanning system	2 : 1 interlace
Scanning frequency	15.625 kHz (H), 50 Hz (V)
Pixel (H x V)	752 x 582 (effective)
Horizontal resolution (Color)	540 TV lines
Horizontal resolution (B/W)	up to 570 TV lines
Minimum sensitivity: Color	1 lux / F1.2 (50 IRE) IR cut filter, AGC on
B/W	0.3 lux / F1.2 (50 IRE) IR pass filter, AGC on
Synchronization	Internal / External (line lock)
S/N ratio	50 dB
White balance	Automatic / Push / Manual Switchable via on screen menu (OSD) 2 application ranges: 2,500 °K - 9,500 °K oder 2,000 °K - 18,000 °K
Shutter:	
Manual adjustable	Standard, 1/50, 1/120, 1/250, 1/500, 1/1000, 1/2000, 1/5000, 1/10000 s
Automatic	Automatic electronic (AES), 1/50 to 1/100000 s continuous
Back-light compensation	6 areas, adjustable via on screen menu (OSD) / RS-485 (software): middle of picture 1, middle of picture 2, doorway 1, doorway 2, upper half, lower half
Automatic gain control (AGC)	Adjustable via on screen menu (OSD) / RS-485 (software): Off, 12 dB - Sensitivity up (38 dB max.)
Interface	RS-485 (bidirectional)
Color / B/W switching	Internal via fuzzy logic, contact or RS-485 command
Color Killer	SDN - Simple Day / Night (On / Off)Chrominance subcarrier can be disabled at low lux levels.
Privacy masking	3 adjustable masking zones via on screen menu
Data storage for set-up parameters	Internal non volatile storage and external control by PC via RS-485 using set-up software CamSet
Lens mounting	CS-mount / C-mount (with C/CS-adapter)
Lens connection	DC lenses (AI-DC) and video signal controlled lenses (AI) (connection via standard 4-pin socket)
Operating temperature	- 10 °C to + 50 °C
Voltage supply	12 V DC or 24 V AC ± 20 %
Power consumption	Max. 4.5 W
Dimensions in mm (W x H x D)	70 x 63 x 122
Weight	Approx. 360 g
Accessories	Lens plug included in shipment
Order No.	5.04301



Technical alterations reserved

GEUTEBRÜCK GmbH

Im Nassen 7-9 | D-53578 Windhagen | Tel. +49 (0)2645 137-0 | Fax-999 E-mail: info@geutebrueck.com | Web: www.geutebrueck.de