

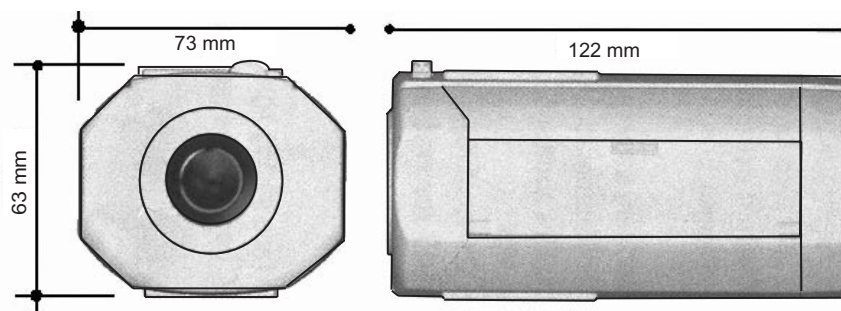
## GVK-430/DC

Versatile, dual-sensor, colour system camera



- Day/Night camera with IR-Cut filter
- Remote set-up via RS-485
- Save all camera settings to file on PC
- Electronic masking function ESF (privacy masking)
- OSD menu for local set-up
- Mechanical IR cut filter operation via RS-485 contact input or internal fuzzy logic control
- Fully integrated into GEUTEBRÜCK video management system GeViControl
- Excellent price/performance ratio

## Dimensions



unit mm

## Technical data

<b>GVK-430</b>	
Picture storage (chip)	1/3"-Sony Exview HAD™
Video standard	CCIR/PAL (composite video)
Scanning system	2:1 interlaced
Sensor pixels	752 x 582 (h x v, effective)
Horizontal resolution	>480TVL
Minimum sensitivity (colour)	0.3 Lux/F1.2 ( 50IRE Video Output )
Synchronization	Internal/external (gen. lock)
Signal-to-noise ratio	50 dB
White balance	Automatic/manual
<b>Shutter</b>	
Pre-settable	Standard, 1/50, 1/120, 1/250, 1/500, 1/1000, 1/2000, 1/4000, 1/10000 sec.
Automatic	1/50 to 1/100000 sec. continuous
Control/set-up interface	RS-485, half duplex
Colour/Mono. IR switch	Internal via fuzzy logic, contact, RS-485
Electronic masking zones (privacy masking)	3 adjustable masking zones via on screen menu / RS 485 (software)
Set-up parameter storage	Internal, non-volatile with upload/download to/from PC via RS-485 port
Back-light compensation	6 areas, selectable via on screen menu/RS-485 (full picture; picture middle 1, picture middle 2, gate area 1, gate area 2; upper half, lower half)
Automatic gain control (AGC)	6 steps, selectable via on screen menu/RS-485 (off; 18 dB; 22 dB, 26 dB, 30 dB, 32dB, 34dB, 36dB, sensitivity up)
Lens mounting	C/CS-Mount user-selectable
Lens connection	User selectable, DC lenses (AI-DC), video signal controlled lenses (AI), via standard 4 pin socket
Operating temperature range	-10°C to +50°C
Supply voltage	10 VDC - 30 VDC or 12 AC - 29 VAC
Power consumption	max. 3.6 W
Dimensions	73 x 63 x 122 mm (w x h x d)
Weight	approx. 0.3 kg
<b>Order number</b>	<b>5.04300</b>

## Accessories

Shipment includes lens plug

7.75006 V 1.0 09.03

Technical alterations reserved.

[www.geutebrueck.de](http://www.geutebrueck.de)

**GEUTEBRÜCK GmbH**  
 Im Nassen 7-9 · D-53578 Windhagen  
 Tel. +49 (0)2645 137-0 · Fax-999 · E-mail: [info@geutebrueck.de](mailto:info@geutebrueck.de)