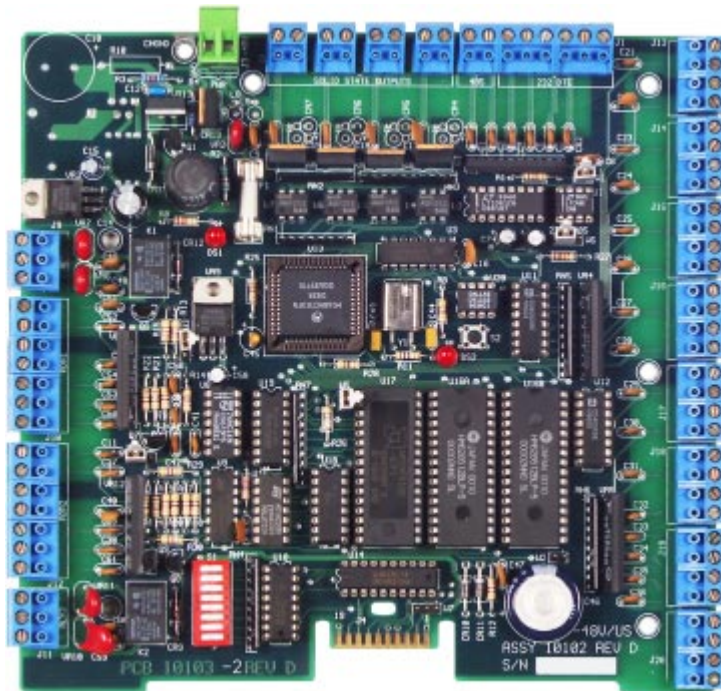


Geoffrey

The cost effective Geoffrey RCNX-2 Reader Controller is the choice for small access control systems.



RCNX-2 Reader Controller (GRCNX-2)

HIGHLIGHTS

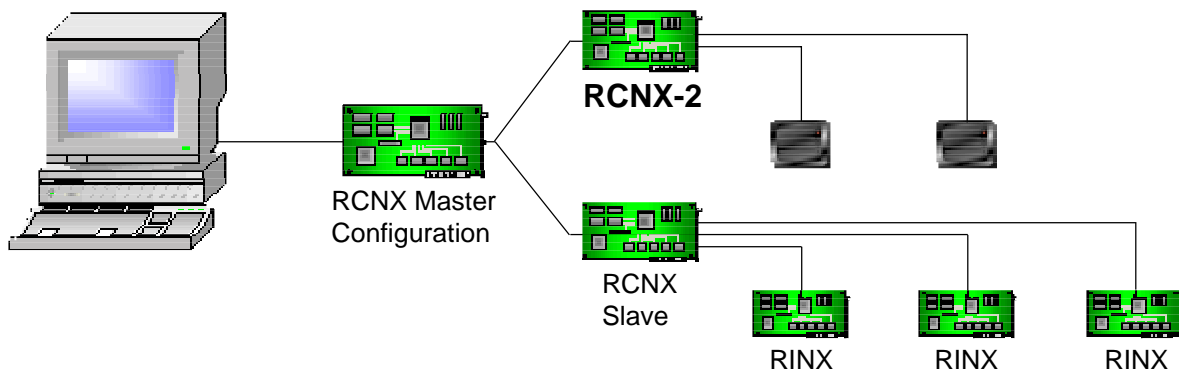
- The RCNX-2 Reader Controller connects directly to the serial port on an Access Control Processing Unit or a RCNX Master Controller.
- Controls one or two card readers using various technologies: magnetic stripe, proximity, wiegand, or stand-alone keypads.
- RCNX-2 Reader Controllers can be used with all Geoffrey 32-bit software products.
- Provides 16 supervised or unsupervised contact inputs, 2 relay outputs, and 4 solid state outputs.
- The RCNX-2 Reader Controller can be used in systems with Geoffrey Master, Reader, Alarm, and Elevator Controllers.
- The RCNX-2 memory can store up to 10,000 cardholders and 2,000 transactions.

SPECIFICATIONS

- Dimensions:
7"H x 7-1/4"W x 2"D
- Enclosure:
12"H x 12"W x 4"D
- Power: 24 VDC or -48 VDC*
- Power consumption for RCNX-2: 80 mA (without read heads)
- Ambient temperature (without heater):
0° to 70°C. or 32° to 185°F.
- Humidity: 10% to 90% (non-condensing)
- Maximum distance to PC: 50 feet for RS-232 data communication. Recommended cable: 22 AWG/4-conductor stranded, shielded
- Maximum distance to MC: 4,000 feet for RS-485 data communication, 50 feet for RS-232 data communication
- Recommended cable: 22 AWG/1 pair stranded, shielded, twisted

STANDARD FEATURES

- Controls one or two card readers: magnetic stripe, proximity, wiegand, or stand-alone keypads
- Six-digit ID access cards:
10,000 numbers and 2,000 transactions
- 2 Form C single pole/double throw, mechanically latching relays: 3 Amps
- 16 supervised or unsupervised contact inputs
- 4 solid state outputs: 6 Amps
- Unlimited Time Zones with 8 programmable intervals for an eight day week (seven days plus holidays)
- 30 Holidays can be prescheduled per year
- Memory retention during power outages
- RS-232 or RS-485 data communication



OPTIONS

- 2400 baud modem for dial-up systems
- Fiber optic converters
- IP addressable

* When ordering you must specify 24VDC or -48VDC

Geoffrey

Geoffrey Industries
2 Cranberry Road
P.O. Box 5907
Parsippany, NJ 07054
Phone: 973.299.1300
Fax: 973.299.9799

e-mail: info@geoffreyaccess.com
Web Site: www.geoffreyaccess.com
Web Site: www.geoffrey.co.uk