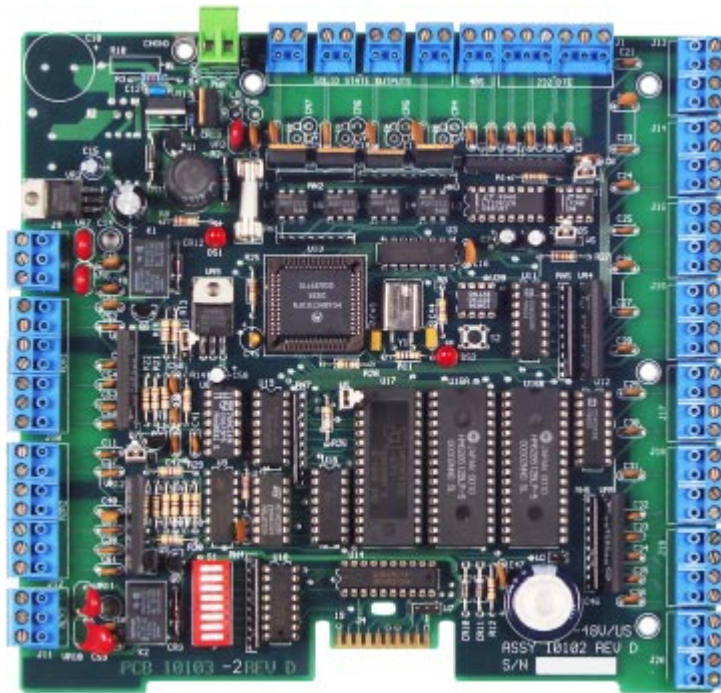


# Geoffrey

*The cost effective Geoffrey RCNX-2 Reader Controller is the choice for small access control systems.*



*RCNX-2 Reader Controller (GRCNX-2)*

## HIGHLIGHTS

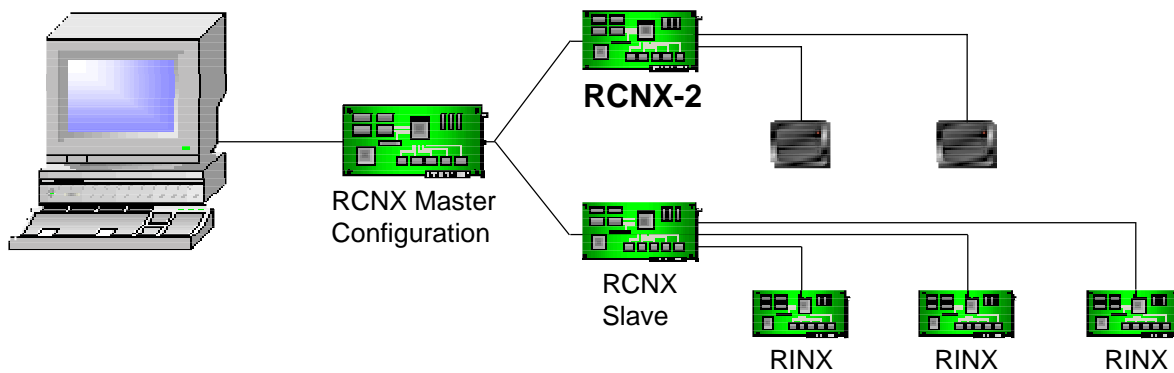
- The RCNX-2 Reader Controller connects directly to the serial port on an Access Control Processing Unit or a RCNX Master Controller.
- Controls one or two card readers using various technologies: magnetic stripe, proximity, wiegand, or stand-alone keypads.
- RCNX-2 Reader Controllers can be used with all Geoffrey 32-bit software products.
- Provides 16 supervised or unsupervised contact inputs, 2 relay outputs, and 4 solid state outputs.
- The RCNX-2 Reader Controller can be used in systems with Geoffrey Master, Reader, Alarm, and Elevator Controllers.
- The RCNX-2 memory can store up to 10,000 cardholders and 2,000 transactions.

## SPECIFICATIONS

- Dimensions:  
7"H x 7-1/4"W x 2"D
- Enclosure:  
12"H x 12"W x 4"D
- Power: 24 VDC or -48 VDC\*
- Power consumption for RCNX-2: 80 mA (without read heads)
- Ambient temperature (without heater):  
0° to 70°C. or 32° to 185°F.
- Humidity: 10% to 90% (non-condensing)
- Maximum distance to PC: 50 feet for RS-232 data communication. Recommended cable: 22 AWG/4-conductor stranded, shielded
- Maximum distance to MC: 4,000 feet for RS-485 data communication, 50 feet for RS-232 data communication
- Recommended cable: 22 AWG/1 pair stranded, shielded, twisted

## STANDARD FEATURES

- Controls one or two card readers: magnetic stripe, proximity, wiegand, or stand-alone keypads
- Six-digit ID access cards:  
10,000 numbers and 2,000 transactions
- 2 Form C single pole/double throw, mechanically latching relays: 3 Amps
- 16 supervised or unsupervised contact inputs
- 4 solid state outputs: 6 Amps
- Unlimited Time Zones with 8 programmable intervals for an eight day week (seven days plus holidays)
- 30 Holidays can be prescheduled per year
- Memory retention during power outages
- RS-232 or RS-485 data communication



## OPTIONS

- 2400 baud modem for dial-up systems
- Fiber optic converters
- IP addressable

\* When ordering you must specify 24VDC or -48VDC

# Geoffrey

Geoffrey Industries  
2 Cranberry Road  
P.O. Box 5907  
Parsippany, NJ 07054  
Phone: 973.299.1300  
Fax: 973.299.9799

e-mail: [info@geoffreyaccess.com](mailto:info@geoffreyaccess.com)  
Web Site: [www.geoffreyaccess.com](http://www.geoffreyaccess.com)  
Web Site: [www.geoffrey.co.uk](http://www.geoffrey.co.uk)