



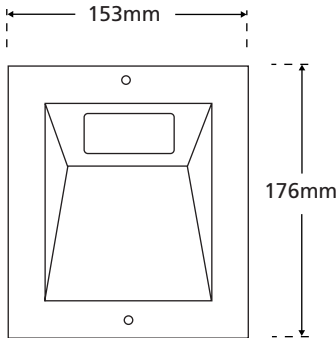
DISCREET CAMERA

MONOCHROME

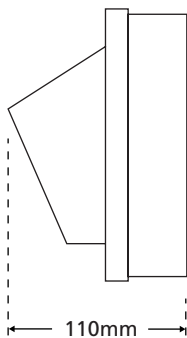
SM-310VR



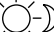

- Outdoor vandal-resistant monochrome surface mount camera

View from front



Side view



-  1/3" CCD
-  380 TV lines
-  0.3 lux sensitivity
-  Supply voltage: 12 Vdc

Lens options

Lens	Product Code
4.0mm	SM-310VR
2.5mm	SM-310VR/2.5
6.0mm	SM-310VR/6.0
8.0mm	SM-310VR/8.0
12.0mm	SM-310VR/12.0

All lens options are the same price

- Superb picture quality
- Beige, powder-coated, 1.5mm, stainless steel housing designed to IP65
- Easily replaceable, toughened, 4mm thick, polycarbonate viewing window
- Smoked viewing window also available - product code: VR-WGR
- Tamper-proof upgrade kit available - product code: VR-TRK
- Camera module mounted on manually adjustable miniature 'swivel and tilt' cradle, for exact camera positioning
- Comes with built-in 220Vac heater and thermostat to prevent misting
- Bracket available enabling camera to be corner-mounted - product code: CMK-10

"These units are small, can withstand a very high level of abuse and we would recommend their use"

PSI Magazine Bench Test - October 1998

See Also:



SM-610VR
Colour option



SM-310VR/AI
Auto-iris option



SM-510VR
High resolution monochrome option

VIDEO

SPECIFICATION	MOD-308 camera module
Image sensor	1/3" CCD sensor, 512 (H) x 582 (V) pixels
Horizontal resolution	380 TV lines or greater
Lens options	SEE TABLE
Electronic shutter	Automatic linear shutter
Sensitivity	0.3 lux
Video output	CCIR, 1Vp-p, 75 Ohms
Supply voltage	12 Vdc ± 10%
Working temperature	-18°C to +60°C

Specification and availability of products are subject to change without notice