



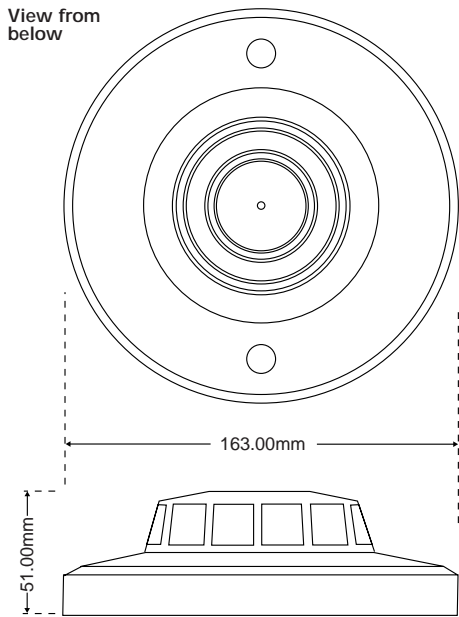
COVERT CAMERA
MONOCHROME

SD-300/PA

● Monochrome camera inside a smoke detector

Miniature camera disguised as a smoke detector, with a vertical viewing pinhole lens.

View from below



Side view



163.0mm(Diam) x 51.0mm(D) 155g

- 1/3" CCD
- 380 TV lines
- 3 lux sensitivity
- Supply voltage: 9-12Vdc
- Audio output: 1V p-p

Model options

Lens	Model Number	Non-audio
3.6mm pinhole	SD-300/PA	SD-300/P
5.5mm pinhole	SD-300/PA/5.5	SD-300/P/5.5
Dummy	SD-300/D	

- Up to five cameras in a single housing
- Ideal for placement over a cash till
- Vertical viewing pinhole lens
- Ideal for any commercial or domestic environment.
- Also available as a covert microphone

See Also:



SD-600/A Colour smoke detector camera



SD-350/A Industrial smoke detector camera housing



PI-350/A PIR camera

SPECIFICATION

	VIDEO	AUDIO
Image sensor	1/3" CCD sensor, 512 (H) x 582 (V) pixels	
Horizontal resolution	380 TV lines or greater	
Lens options	See table above	
Electronic shutter	Automatic 1/60 to 1/100,000, 256 steps	
Sensitivity	3 lux	
Video output	625 line, 50 frame CCIR, 1Vp-p, 75 Ohms	
Supply voltage / Power	9-12 Vdc / 125mA	
Working temperature	-18°C to +60°C	
		Microphone
		Omni-directional electret
		Audio output
		1Vp-p, 600 Ohms
		Audio bandwidth
		100Hz - 10KHz, +/- 3dB

This data sheet is also available on disk.