



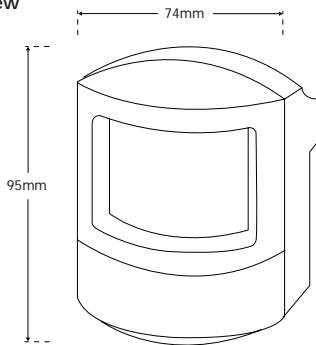
COVERT CAMERA

COLOUR

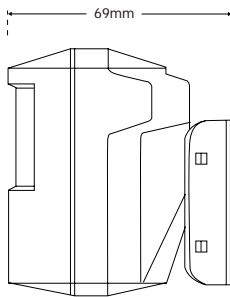
PI-740/A

- 'Sharpshooter' PIR case high resolution colour camera

Front view



Side view



- 1/3" CCD
- 450 TV lines
- 5.0 lux sensitivity
- Supply voltage: 12 Vdc
- Audio output: 1V p-p

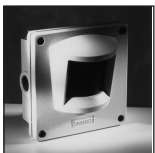
Lens options

Lens	Product Code
4.0mm	PI-740/A
2.5mm	PI-740/A/2.5
6.0mm	PI-740/A/6.0
8.0mm	PI-740/A/8.0
12.0mm	PI-740/A/12.0

All lens options are the same price

- Unique bracket for wall or corner mounting
- Ceiling mount bracket also available
- Standard rather than pinhole lens gives superior performance in low light conditions
- Scratch-resistant clear front for easy maintenance and optimal sensitivity
- Smoked window material also available for a more covert camera
- Comes with free power supply
- Comes with free audio capability
- Comes with lint-free cleaning cloth to remove grease and dirt from case and lens

See Also:



PI-610VR
Outdoor vandal-resistant colour PIR case camera



PI-380/PWA
Working PIR monochrome camera



PI-350/A
PIR case monochrome camera

SPECIFICATION

VIDEO	MOD-711 camera module
Image sensor	1/3" CCD sensor, 500 (H) x 582 (V) pixels
Horizontal resolution	450 TV lines or greater
Lens options	SEE TABLE
Electronic shutter	Automatic linear shutter
Sensitivity	5.0 lux
Video output	PAL, 1Vp-p, 75 Ohms
Supply voltage	12 Vdc ± 10%
Working temperature	-5°C to +40°C

AUDIO	
Microphone	Omni-directional electret
Audio output	1Vp-p, 600 Ohms
Audio bandwidth	100Hz - 10KHz, +/- 3dB

Specification and availability of products are subject to change without notice