

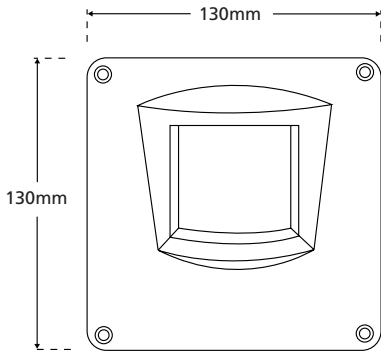


DISCREET CAMERA

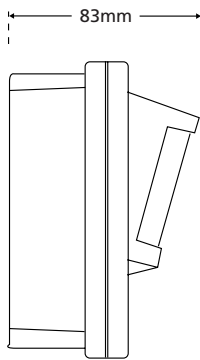
COLOUR

PI-710VR

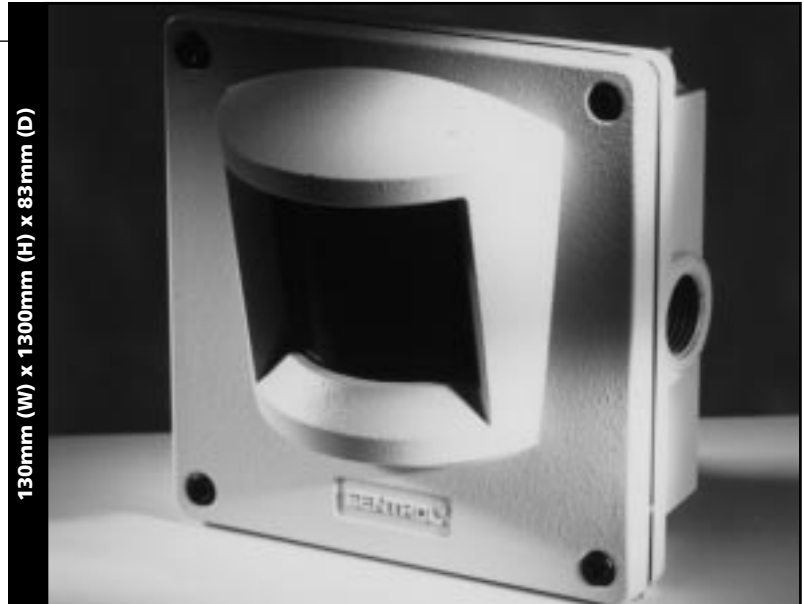
- Outdoor vandal-resistant high resolution colour PIR case camera



Front view



Side view



130mm (W) x 130mm (H) x 83mm (D)

- 1/3" CCD
- 450 TV lines
- 5 lux sensitivity
- Supply voltage: 12 Vdc

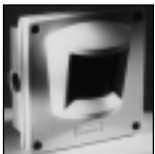
Lens options

Lens	Product Code
4.0mm	PI-710VR
2.3mm	PI-710VR/2.3
5.6mm	PI-710VR/5.6
8.0mm	PI-710VR/8.0
16.0mm	PI-710VR/16.0

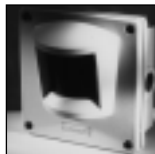
All lens options are the same price

- Superb picture quality
- Heavy-duty, powder-coated, die-cast aluminium housing with smoked polycarbonate viewing window
- Comes with free optional clear viewing window
- Multi-directional wall/corner-mount bracket available - product code: PI-X10VR/B
- Screw-entry conduit point for vandal-resistant cabling
- Camera module mounted manually adjustable 'swivel and tilt' cradle for exact camera positioning.

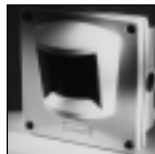
See Also:



PI-610VR
Standard resolution colour option



PI-510VR
High resolution monochrome option



PI-310VR
Standard resolution monochrome option

VIDEO

SPECIFICATION	MOD-715 camera module
Image sensor	1/3" CCD sensor, 752 (H) x 582 (V) pixels
Horizontal resolution	450 TV lines or greater
Lens options	SEE TABLE
Electronic shutter	Automatic linear shutter
Sensitivity	5.0 lux
Video output	PAL, 1Vp-p, 75 Ohms,
Supply voltage	12 Vdc ± 10%
Working temperature	-5°C to +40°C

Specification and availability of products are subject to change without notice