

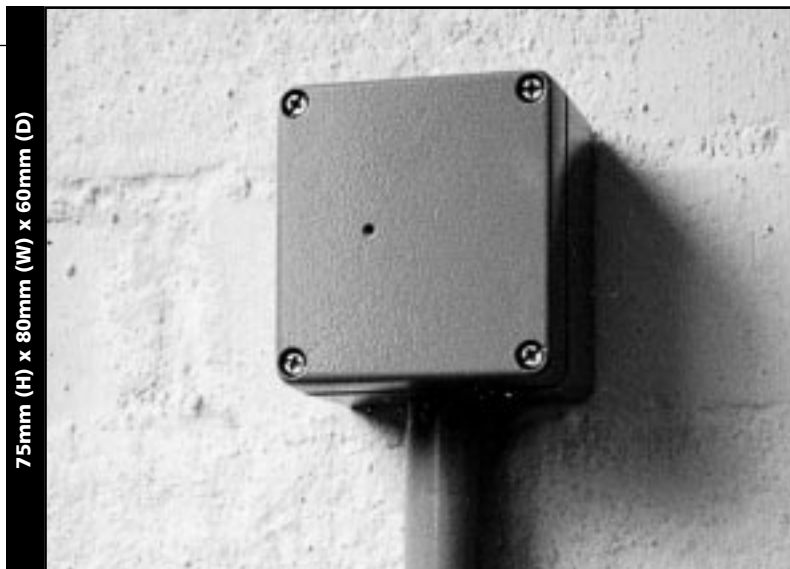
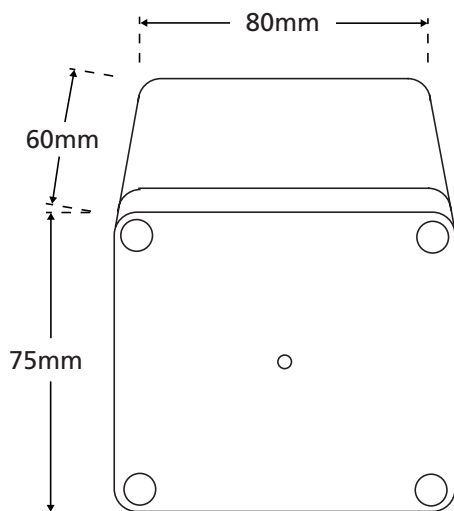


**COVERT CAMERA**

**MONOCHROME**

# JB-350/PA

● Junction box monochrome camera



- 1/3" CCD
- 380 TV lines
- 3.0 lux sensitivity
- Supply voltage: 12 Vdc
- Audio output: 1V p-p

### Lens options

Lens	Product Code
3.6mm pinhole	JB-350/PA
5.5mm pinhole	JB-350/PA/5.5

All lens options are the same price

- Tough, die-cast aluminium housing
- A very popular and effective covert camera
- Blends into many industrial or commercial environments
- Comes with free power supply
- Comes with free audio capability
- Comes with lint-free cleaning cloth to remove grease and dirt from case and lens

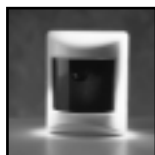
### See Also:



JB-650/PA  
Colour option



TH-350/PA  
Thermostat  
monochrome  
camera



PI-350/A  
PIR case  
monochrome  
camera

### SPECIFICATION

Image sensor	MOD-308/PA camera module
Horizontal resolution	1/3" CCD sensor, 512 (H) x 582 (V) pixels
Lens options	380 TV lines or greater
Electronic shutter	SEE TABLE
Sensitivity	Automatic linear shutter
Video output	3.0 lux
Supply voltage	CCIR, 1Vp-p, 75 Ohms
Working temperature	12 Vdc ± 10%
	-18°C to +60°C

### VIDEO

### AUDIO

Microphone	Omni-directional electret
Audio output	1Vp-p, 600 Ohms
Audio bandwidth	100Hz - 10KHz, +/- 3dB

Specification and availability of products are subject to change without notice