



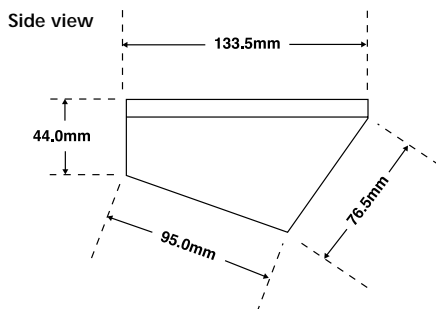
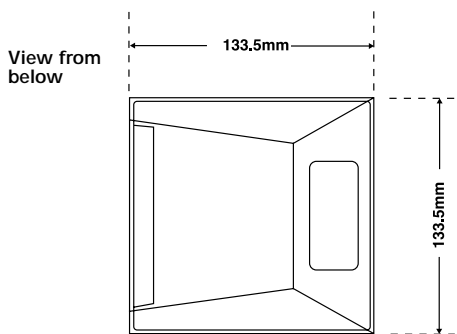
DISCREET CAMERA

MONOCHROME

CW-500VR/A

- High-resolution Vandal-Resistant Ceiling/Wall Camera with Audio

A unique miniature, slim steel housing designed for ceiling or wall installation. The unit conceals a miniature high-resolution camera module on adjustable 'swivel and tilt' cradle.



- 1/3" CCD
- 560 TV lines
- 0.2 lux sensitivity
- Supply voltage: 10-14 Vdc
- Audio output: 1V p-p

Model options	
Lens	Model number
4.0mm	CW-500VR/A
2.5mm	CW-500VR/A/2.5
6.0mm	CW-500VR/A/6.0
8.0mm	CW-5300VR/A/8.0
12.0mm	CW-500VR/A/12.0
Dummy	CW-500VR/D

- High-resolution camera module - 560 TV lines.
- Designed to look good, take knocks and be easy to install.
- Resistant to destruction and removal.
- White, powder-coated, 1.2mm high quality mild steel case with a 4mm toughened polycarbonate viewing window.
- Optional knock-out for use with 20mm diameter steel trunking.
- Wall or ceiling mountable.

See Also:



CU-505VR/PA
High-resolution
Colour ceiling
unit



CC-500VR/A
Colour cornice
camera



CM-500VR/A
High-resolution
Colour corner
mount camera

SPECIFICATION

VIDEO	
Image sensor	1/3" CCD sensor, 752 (H) x 582 (V) pixels
Horizontal resolution	560 TV lines or greater
Lens options	See table above
Electronic shutter	Automatic 1/60 to 1/100,000, 256 steps
Sensitivity	0.2 lux
Video output	625 line, 50 frame CCIR, 1Vp-p, 75 Ohms
Supply voltage / Power	12 Vdc typ (10-14 Vdc) / 110mA
Working temperature	-10°C to +50°C

AUDIO	
Microphone	Omni-directional electret
Audio output	1Vp-p, 600 Ohms
Audio bandwidth	100Hz - 10KHz, +/- 3dB

This data sheet is also available on disk.