

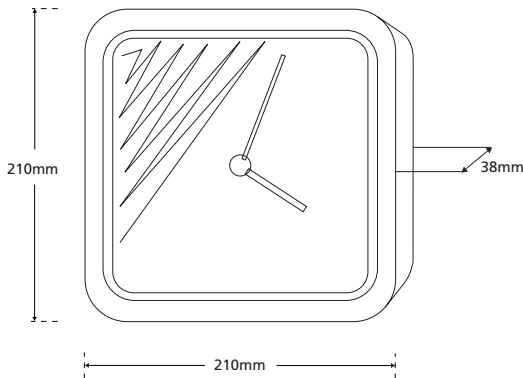


**COVERT CAMERA**

**COLOUR**

**CL-650/PWA**

● Office clock colour camera

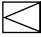

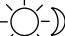




210mm (H) x 210mm (W) x 38mm (D) 54g

- Undetectable pinhole camera enables completely covert surveillance
- Clock back-plate conceals camera whilst allowing easy battery replacement and time adjustment

"This anonymous looking clock with no visible lens aperture will not arouse the slightest suspicion of being a camera"

PSI Magazine bench test - December 1995

-  1/3" CCD
-  330 TV lines
-  1.5 lux sensitivity
-  Supply voltage: 12 Vdc
-  Audio output: 1V p-p

**Lens options**

Lens	Product Code
3.6mm pinhole	CL-650/PWA
5.5mm pinhole	CL-650/PWA/5.5

Both lens options are the same price

**See Also:**



**CL-350/PWA**  
Monochrome option



**CL-640/PWA**  
Alternative style option



**CL-310/WA**  
Standard lens traditional style clock

SPECIFICATION	
Image sensor	MOD-620/P camera module
Horizontal resolution	1/3" CCD sensor, 500 (H) x 582 (V) pixels
Lens options	330 TV lines or greater
Electronic shutter	SEE TABLE
Sensitivity	Automatic linear shutter
Video output	15 lux
Supply voltage	PAL, 1Vp-p, 75 Ohms
Working temperature	12 Vdc ± 10%
	-10°C to +50°C
VIDEO	
Microphone	Omni-directional electret
Audio output	1Vp-p, 600 Ohms
Audio bandwidth	100Hz - 10KHz, +/- 3dB
AUDIO	

Specification and availability of products are subject to change without notice