

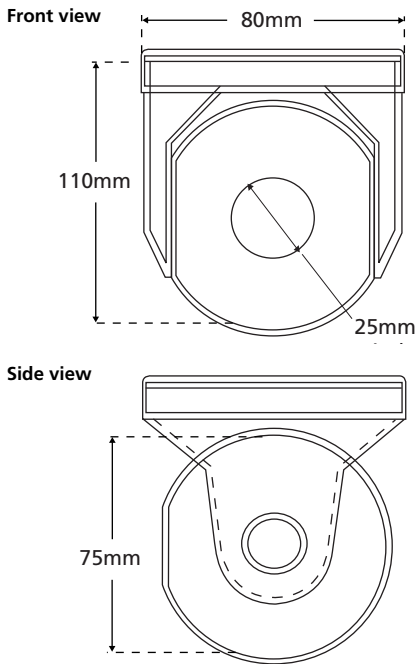


**DISCREET CAMERA**

**MONOCHROME**

# BC-500

● Miniature wall or ceiling mount high resolution monochrome *Ball Camera*



- **Superb picture quality**
- **Infinitely adjustable - 350° horizontal, 90° vertical**
- **Cables feed directly into wall or ceiling so cannot be tampered with**
- **Weather-resistant for outdoor use**
- **Free audio capability available for indoor use**
- **IR-sensitive option also available**
- **Easily mounts over single gang US or continental electrical wall box**
- **Comes with free power supply unit**

- 1/3" CCD
- 560 TV lines
- 0.2 lux sensitivity
- Supply voltage: 12 Vdc
- Audio output: 1V p-p

### Lens options

Lens	Non-Audio	Audio
4.0mm	BC-500	BC-500/A
2.5mm	BC-500/2.5	BC-500/A/2.5
6.0mm	BC-500/6.0	BC-500/A/6.0
8.0mm	BC-500/8.0	BC-500/A/8.0
12.0mm	BC-500/12.0	BC-500/A/12.0

All lens options are the same price

Comes with free wall mounting bracket



### See Also:



**BC-300**  
Monochrome *Ball Camera*



**BC-700**  
High resolution colour *Ball Camera*



**BC-600**  
Colour *Ball Camera*

SPECIFICATION	MOD-507 camera module
Image sensor	1/3" CCD sensor, 725 (H) x 582 (V) pixels
Horizontal resolution	560 TV lines or greater
Lens options	SEE TABLE
Electronic shutter	Automatic linear shutter
Sensitivity	0.2 lux
Video output	CCIR, 1Vp-p, 75 Ohms
Supply voltage	12 Vdc ± 10%
Working temperature	-10°C to +50°C

VIDEO

Specification and availability of products are subject to change without notice