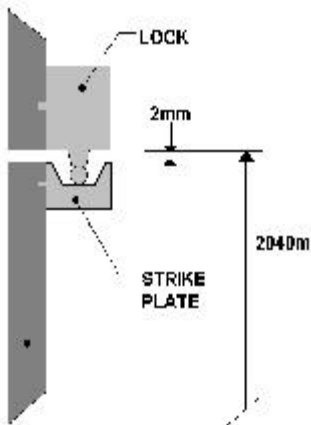


ARE YOU HAVING PROBLEMS WITH THE LOCKING OF DOUBLE ACTION DOORS ?

Standard Mounting



Double Action



DS 2009D

The unique rollerbolt mechanism and angled strike plate enable the lock to resist up to 1 tonne of side load and yet still release under side pressure making it a genuinely fail-safe device exceeding the requirements of EN13637. The lock is also much more sympathetic than a standard shearlock to doors which do not align properly and will pull a door in with a misalignment of up to 10mm.

We have now had these locks fitted in Hospitals where this type of door has always been a problem to lock electronically and they have proven to be a success.

The standard mounting is shown above left but brackets are available for various applications on request.

EXCLUSIVE TO :-

Technical details

Voltage : 24vdc

Current : 1.5A

Contacts : 1A

Dimensions of lock : 230mm x 80mm x 108

Dimensions of strike : 230mm x 40mm x 75mm

Holding force : up to 1.2 tonne



1st Floor, Redburn House
Redburn Road
Westerhope,
Tyne & Wear
Tel : 0191 2716344
Fax : 0191 2713644