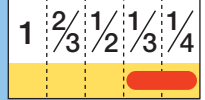




For Security
Vari-Focal

Applicable camera (model)

YV2.4×2.5A-SA2



2.4×



*Photograph is a similar model.

VARI
Vari-Focal

WIDE
Wide Angle

DC
DC Auto Iris

CS-mt
CS Mount

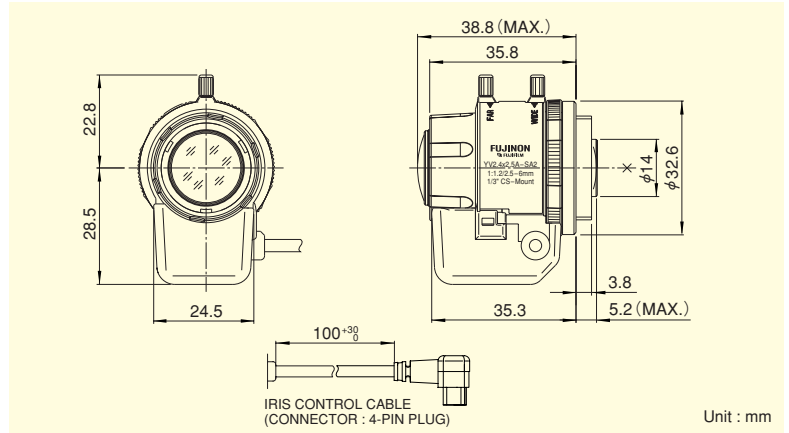
METAL
Metal Mount

ND
ND Filter

230
Long Cable

AT
Aspherical Lens

F1.2
Wide Aperture Rate

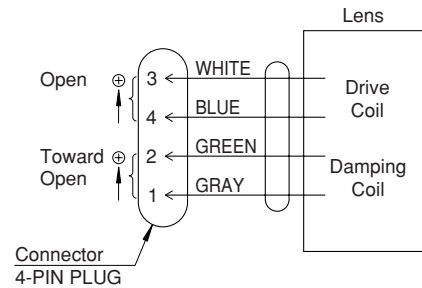


Unit : mm

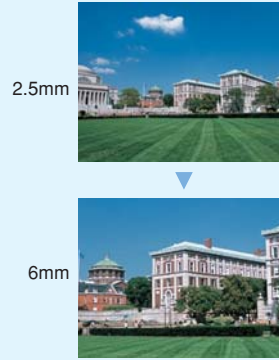
- WIDE2.5mm, achieving the horizontal field angle of 110 degrees (when used on 1/3 cameras).
- Wide aperture of F1.2, optimizing the performance at low lighting intensity.
- Compact and lightweight design, best suited for the use with dome cameras.
- High accuracy aspheric lens adopted, achieving the high quality image.
- Built-in ND filter of T360, supporting high sensitivity cameras.

Focal Length (mm)		2.5~6 (2.4×	
Iris Range		F1.2 ~ T360 (Equivalent to F360)	
Operation	Zoom	Manual	
	Focus	Manual	
	Iris	Auto (DC Type) (*1)	
Angle Of View (H×V)	1/3"	WIDE	110°00' × 80°58'
		TELE	46°11' × 34°34'
	1/4"	WIDE	80°58' × 60°80'
		TELE	34°34' × 25°54'
Focusing Range (From Front Of The Lens) (m)		∞ ~ 0.3	
Object Dimensions at M.O.D. (H×V) (mm)	1/3"	WIDE	880 × 525
		TELE	262 × 191
	1/4"	WIDE	525 × 356
		TELE	191 × 141
Back Focal Distance (in air) (mm)		7.51	
Exit Pupil Position (From Image Plane) (mm)		104	
Filter Thread (mm)		—	
Mount		CS	
Mass (g)		45	
Coil Resistance		Drive Coil	190Ω
		Damping Coil	500Ω
Current Consumption		23mA (Max.) at DC 4V	
Remarks	• With Metal Mount (*1) When power is turned off, iris will automatically close. YV2.4×2.5A-SA2L : Long Cable Type (230mm)		

Wiring



[Lens Image]



VARI-FOCAL LENSES