



For Security
Fixed Focal

YF8A-SA2B

Applicable camera (model)

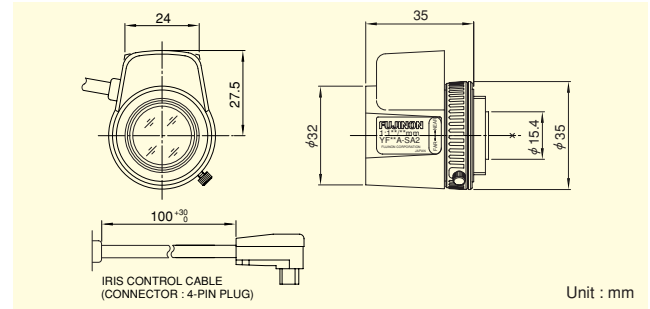
1	2/3	1/2	1/3	1/4
---	-----	-----	-----	-----

- FIXED**
Fixed Focal
- DC**
DC Auto Iris
- CS-mt**
CS Mount
- ND**
ND Filter
- 230**
Long Cable
- F1.2**
Wide Aperture Rate



- Built-in ND filter of T360, supporting high sensitivity cameras.
- Wide aperture of F1.2, optimizing the performance at low lighting intensity.

*Photograph is a similar model.

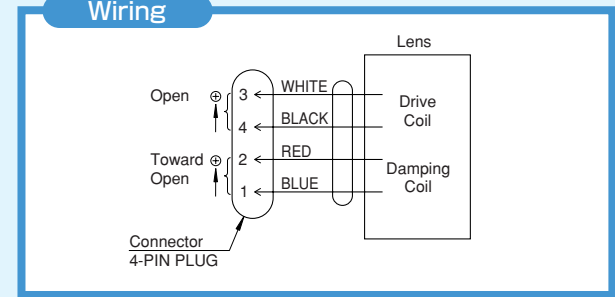


Focal Length (mm)		8
Iris Range		F1.2 ~ T360 (Equivalent to F360)
Operation	Focus	Manual
	Iris	Auto (DC Type) (*1)
Angle Of View (H×V)	1/3"	33°24' × 25°22'
	1/4"	25°22' × 19°09'
Focusing Range (From Front Of The Lens) (m)		∞ ~ 0.1
Object Dimensions at M.O.D. (H×V) (mm)	1/3"	71 × 53
	1/4"	53 × 40
Back Focal Distance (in air) (mm)		8.81
Exit Pupil Position (From Image Plane) (mm)		-147
Filter Thread (mm)		—
Mount		CS
Mass (g)		40
Coil Resistance		Drive Coil 200Ω Damping Coil 600Ω
Current Consumption		22mA (Max.) at DC 4V

Remarks

(*1) When power is turned off, iris will automatically be closed.
YF8A-SA2LB : Long Cable Type (230mm)

Wiring



For Security
Fixed Focal

YF16A-SA2B

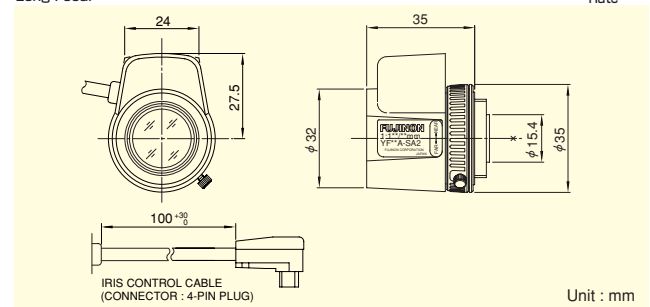
Applicable camera (model)

1	2/3	1/2	1/3	1/4
---	-----	-----	-----	-----

- FIXED**
Fixed Focal
- TELE**
Telephoto Long Focal
- DC**
DC Auto Iris
- CS-mt**
CS Mount
- ND**
ND Filter
- 230**
Long Cable
- F1.4**
Wide Aperture Rate



- Telephoto lens with the horizontal field angle of approximately 17 degrees.
- Built-in ND filter of T360, supporting high sensitivity cameras.
- Wide aperture of F1.4, optimizing the performance at low lighting intensity.



Focal Length (mm)		16
Iris Range		F1.4 ~ T360 (Equivalent to F360)
Operation	Focus	Manual
	Iris	Auto (DC Type) (*1)
Angle Of View (H×V)	1/3"	17°04' × 12°50'
	1/4"	12°50' × 9°39'
Focusing Range (From Front Of The Lens) (m)		∞ ~ 0.5
Object Dimensions at M.O.D. (H×V) (mm)	1/3"	153 × 115
	1/4"	115 × 86
Back Focal Distance (in air) (mm)		10.3
Exit Pupil Position (From Image Plane) (mm)		80
Filter Thread (mm)		—
Mount		CS
Mass (g)		35
Coil Resistance		Drive Coil 200Ω Damping Coil 600Ω
Current Consumption		22mA (Max.) at DC 4V

Remarks

(*1) When power is turned off, iris will automatically be closed.
YF16A-SA2LB : Long Cable Type (230mm)

Wiring

