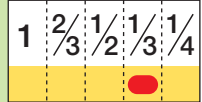




For FA/Machine Vision
3CCD Camera

TF8DA-8B

Applicable camera (model)



FIXED
Fixed Focal

3CCD
For 3CCD Camera

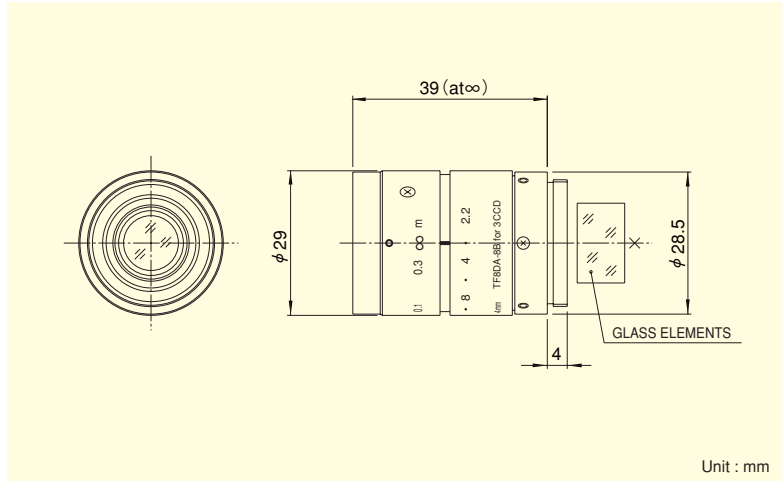
MANUAL
Manual Iris

C-mt
C Mount

METAL
Metal Mount



- Special design for optimizing the image quality of 3CCD cameras.
- Low-distortion design achieving accurate image input.
- Compact, lightweight and robust design, supporting various systems.
- Faithful color reproduction for 3CCD cameras, best suited for advanced monitoring applications.
- Robust enclosure that can withstand vibrations and shocks. Equipped with locking screws for the iris and the focus.



3CCD CAMERA LENSES

| | | |
|---------------------------------------------|---------------------------------------------------------------------------------------------------------------------|--------------------|
| Focal Length (mm) | | 8 |
| Iris Range | | F2.2 ~ F16 · Close |
| Operation | Focus | Manual |
| | Iris | Manual |
| Angle Of View (H×V) | 1/3" | 33°24' × 25°22' |
| Focusing Range (From Front Of The Lens) (m) | | ∞ ~ 0.1 |
| Object Dimensions at M.O.D. (H×V) (mm) | 1/3" | 66 × 50 |
| Back Focal Distance (in air) (mm) | | 14.83 |
| Exit Pupil Position (From Image Plane) (mm) | | -176 |
| Filter Thread (mm) | | M25.5 × 0.5 |
| Mount | | C |
| Mass (g) | | 60 |
| Remarks | <ul style="list-style-type: none"> •With Metal Mount •With Locking Screw for Iris and Focus | |