



**For Security
Zoom**

Applicable camera (model)

T17×5DA-R11

1	2/3	1/2	1/3	1/4
---	-----	-----	-----	-----

17×

New!

ZOOM
Zoom

WIDE
Wide Angle

TELE
Telephoto
Long Focal

MOTOR DRIVE
Motor Drive

3CCD
For 3CCD Camera

VIDEO
Video Auto Iris

C-mt
C Mount

METAL
Metal Mount

SERVO
Full Servo

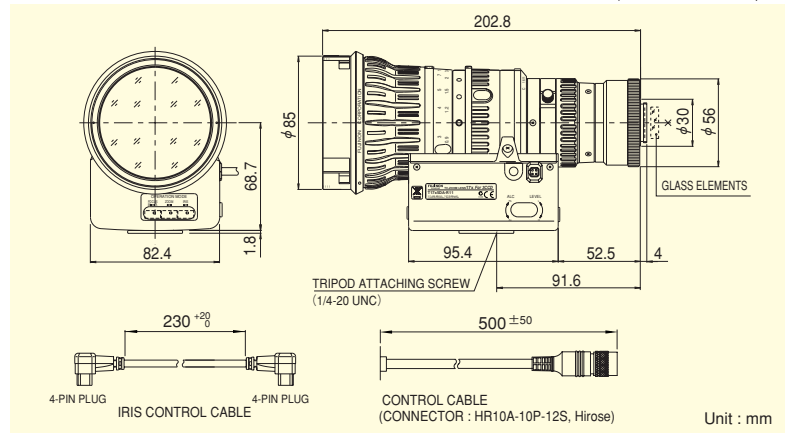
F1.4
Wide Aperture Rate

RoHS
RoHS Compliant



*Photograph is a similar model.

- High-accuracy servo control, best suited for high grade surveillance systems.
- High magnification zoom lens, covering wide angle and telephoto.
- Special design, fully exploiting high image-quality 3CCD camera performance.



ZOOM LENSES

Focal Length (mm)		5~85 (17×)	
Iris Range		F1.4 ~ F16	
Operation	Zoom	Servo Control	
	Focus	Servo Control	
	Iris	Auto (Video Type) or Servo Control	
Angle Of View (H×V)	1/3"	WIDE	51°30' × 39°60'
		TELE	3°20' × 2°40'
Focusing Range (From Front Of The Lens) (m)		∞ ~ 0.9	
Object Dimensions at M.O.D. (H×V) (mm)	1/3"	WIDE	800 × 600
		TELE	47 × 35
Back Focal Distance (in air) (mm)		14.83	
Exit Pupil Position (From Image Plane) (mm)		64.8	
Filter Thread (mm)		M82 × 0.75	
Mount		C	
Mass (kg)		1.4	
Standard Accessories		Iris Control Cable	
Remarks		<ul style="list-style-type: none"> • With Metal Mount • Zoom/Focus/Iris can be operated manually <p>* Please refer to SYSTEM CHART (E-11)</p>	

Wiring

