



**For Security
Custom**

Applicable camera (model)

T16×5.5DA-DSD

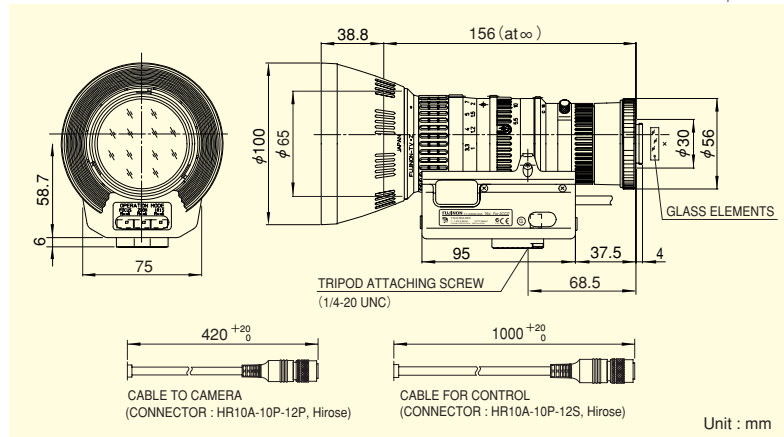
| | | | | |
|---|-----|-----|-----|-----|
| 1 | 2/3 | 1/2 | 1/3 | 1/4 |
| | | | | |

16×

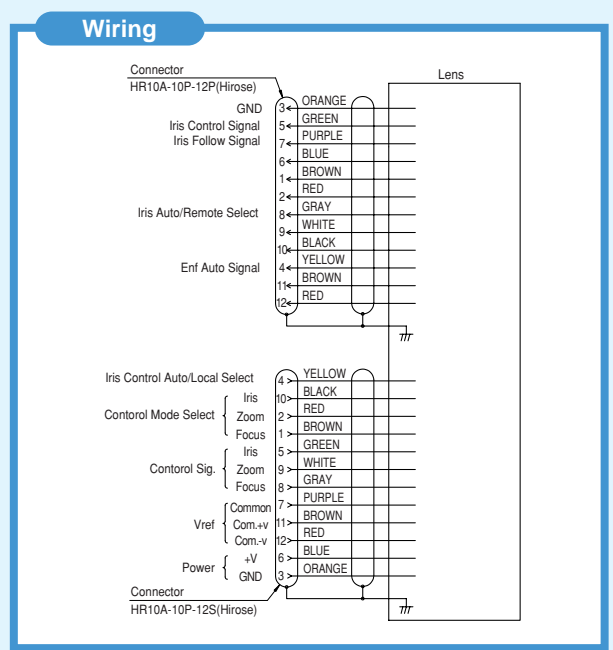
| | | | | | | |
|---------------------|---------------------------|--|-----------------------------------|--------------------------------|----------------------------|-----------------------------------|
| ZOOM Zoom | WIDE Wide Angle | TELE Telephoto Long Focal | MOTOR DRIVE Motor Drive | 3CCD For 3CCD Camera | CUSTOM Custom | C-mt C Mount |
| | | | | METAL Metal Mount | SERVO Full Servo | F1.4 Wide Aperture Rate |



- Special design for optimizing the performane of Panasonic AW-E350.
- Special design for optimizing the image quality of 3CCD cameras.
- High-power zoom lens covering wide angle and telephoto.



| | | | |
|---|-------|---|-----------------|
| Focal Length (mm) | | 5.5~88 (16×) | |
| Iris Range | | F1.4 ~ F16 • Close | |
| Operation | Zoom | Servo Control | |
| | Focus | Servo Control | |
| | Iris | Auto or Servo Control | |
| Angle Of View (H×V) | 1/3" | WIDE | 47°09' × 36°15' |
| | | TELE | 3°07' × 2°21' |
| Focusing Range (From Front Of The Lens) (m) | | ∞ ~ 1 | |
| Object Dimensions at M.O.D. (H×V) (mm) | 1/3" | WIDE | 819 × 614 |
| | | TELE | 51 × 38 |
| Back Focal Distance (in air) (mm) | | 14.83 | |
| Exit Pupil Position (From Image Plane) (mm) | | 251 | |
| Filter Thread (mm) | | M62 × 0.75 | |
| Mount | | C | |
| Mass (g) | | 900 | |
| Remarks | | <ul style="list-style-type: none"> • With Metal Mount • Zoom/Focus/Iris can be operated manually • For Panasonic AW-E350 | |



CUSTOM LENSES