



For FA/Machine Vision
Fixed Focal

HF35HA-1B

Applicable camera (model)

1	2/3	1/2	1/3	1/4
---	-----	-----	-----	-----

FIXED
Fixed Focal

1.5 Mega
For Megapixel Camera

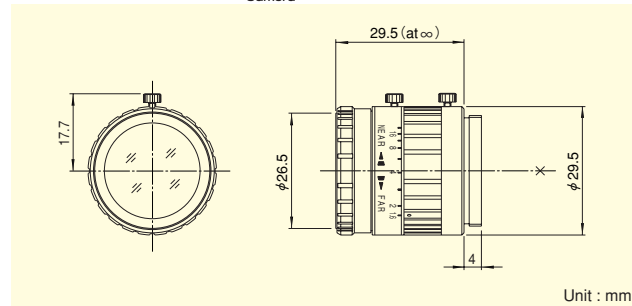
MANUAL
Manual Iris

C-mt
C Mount

METAL
Metal Mount



- Design achieving the high resolution, supporting up to 1.5 mega pixel cameras
- Designed for low distortion, enabling faithful image input
- Compact, lightweight and robust design, supporting various systems
- Focus & iris lock tab provided, supporting environments such as vibration



Focal Length (mm)		35
Iris Range		F1.6 ~ F22
Operation	Focus	Manual
	Iris	Manual
Angle Of View (H×V)	2/3"	14°20' × 10°46'
	1/2"	10°27' × 7°51'
	1/3"	7°51' × 5°53'
Focusing Range (From Front Of The Lens) (m)		∞ ~ 0.25
Object Dimensions at M.O.D. (H×V) (mm)	2/3"	59 × 44
	1/2"	43 × 32
	1/3"	32 × 24
Back Focal Distance (in air) (mm)		15.03
Exit Pupil Position (From Image Plane) (mm)		-26.6
Filter Thread (mm)		M25.5 × 0.5
Mount		C
Mass (g)		45

- Remarks
- With Metal Mount
 - With Locking Knob for Iris and Focus