



# For Surveillance Telephoto Zoom

Applicable camera (model)

1	2/3	1/2	1/3	1/4
---	-----	-----	-----	-----

TELEPHOTO ZOOM LENSES

22x



NEW

**ZOOM**  
Zoom

**WIDE**  
Wide Angle

**TELE**  
Telephoto Long Focal

**MOTOR DRIVE**  
Motor Drive

**Day~Night**  
Day & Night

**VIDEO**  
Video Auto Iris

**IRIS-REMOTE**  
Iris Remote

**C-mt**  
C Mount

**METAL**  
Metal Mount

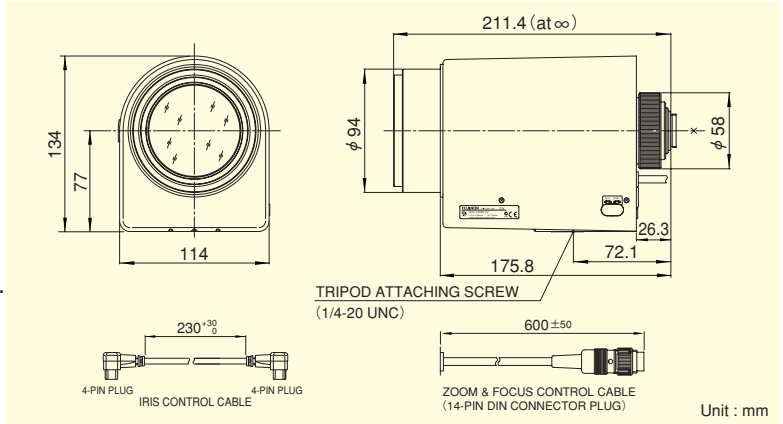
**PRESET**  
Potentiometer

**ND**  
ND Filter

**F1.6**  
Wide Aperture Rate

\*Photograph is a similar model.

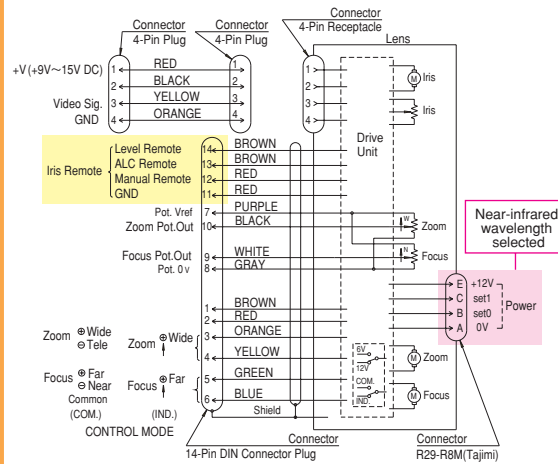
- 22x telephoto zoom lens with near-infrared wavelength selection mechanism, best suited for day and night cameras.
- Achieved telephoto at the field angle of 1°27', best suited for long-distance monitoring such as disaster prevention (when used on 1/2" cameras).
- Multi power compatibility (6V, ±6V, 12V, ±12V), for use with existing control systems.
- Auto iris is remotely operable, allowing light intensity to be fine adjusted according to the monitoring target.
- Compatible with a wide range - 2/3", 1/2" and 1/3" - cameras.
- Built-in ND filter of T2000, supporting high sensitivity cameras.



Unit : mm

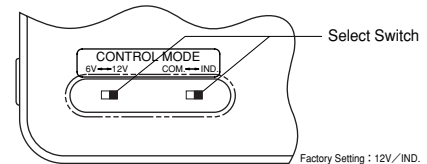
Focal Length (mm)		11.5~253 (22x)	
Iris Range		F1.6 ~ T2000 (Equivalent to F2000)	
Operation	Zoom	Servo Control	
	Focus	Servo Control	
	Iris	Auto (Video Type) or Remote (*1)	
Angle Of View (H×V)	2/3"	WIDE	41°52' × 32°01'
		TELE	2°00' × 1°30'
	1/2"	WIDE	31°06' × 23°34'
		TELE	1°27' × 1°05'
	1/3"	WIDE	23°34' × 17°47'
		TELE	1°05' × 0°49'
Focusing Range (From Front Of The Lens) (m)		∞ ~ 3	
Object Dimensions at M.O.D. (H×V) (mm)	2/3"	WIDE	2213 × 1660
		TELE	101 × 75
	1/2"	WIDE	1609 × 1207
		TELE	73 × 55
	1/3"	WIDE	1207 × 905
		TELE	55 × 41
Back Focal Distance (in air) (mm)		36.16	
Exit Pupil Position (From Image Plane) (mm)		-103	
Filter Thread (mm)		M82 × 0.75	
Mount		C	
Mass (kg)		2.5	
Standard Accessories		Iris Control Cable Connection Connector (14-pin,8-pin)	
Remarks		<ul style="list-style-type: none"> <li>• With Metal Mount</li> </ul> (*1) For Iris remote function please refer to page (K-1)	

## Wiring



## Control Mode

(Rear View)



Factory Setting : 12V/IND.

Controller output	Select switch position
6V	6V/IND.
±6V	6V/COM.
12V	12V/IND.
±12V	12V/COM.

## Accessories

### Extender

Model	Magnification
HE15-1	1.5X
HE20-1	2X

## Near-infrared wavelength selected

