



**For Security
Zoom**

Applicable camera (model)

H22×11.5A-M41

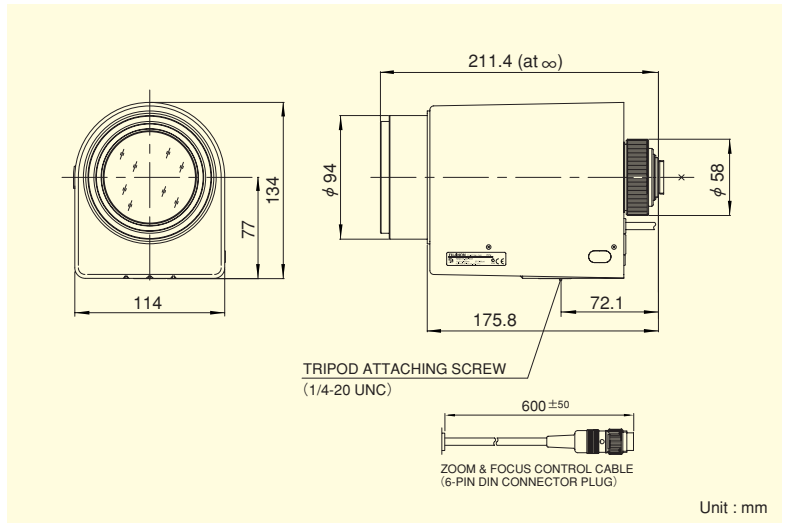
1	2/3	1/2	1/3	1/4
---	-----	-----	-----	-----

- ZOOM**
Zoom
- WIDE**
Wide Angle
- TELE**
Telephoto
Long Focal
- MOTOR DRIVE**
Motor Drive
- REMOTE**
Remote Iris
- C-mt**
C Mount
- METAL**
Metal Mount

22×



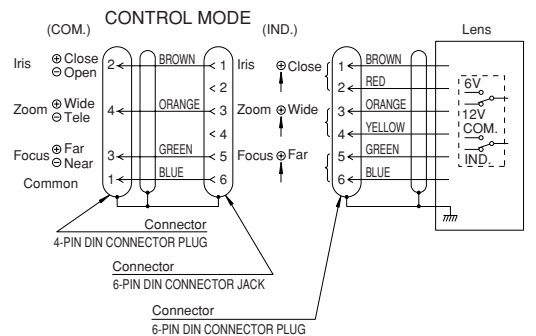
※Photograph is a similar model.



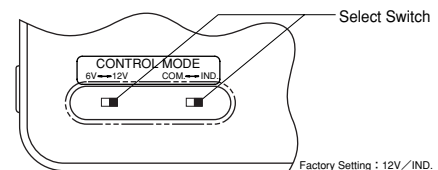
- High-powered zoom lens covering wide angle and telephoto
- Multiple power supply (6V, ±6V, 12V, ±12V) supported, enabling the use of existing control systems

Focal Length (mm)		11.5~253 (22×)	
Iris Range		F1.6 ~ F22 · Close	
Operation	Zoom	Motor Drive	
	Focus	Motor Drive	
	Iris	Motor Drive	
Angle Of View (HXV)	2/3"	WIDE	41°52' × 32°01'
		TELE	2° × 1°30'
	1/2"	WIDE	31°06' × 23°34'
		TELE	1°27' × 1°05'
	1/3"	WIDE	23°34' × 17°47'
		TELE	1°05' × 0°49'
Focusing Range (From Front Of The Lens) (m)		∞ ~ 3	
Object Dimensions at M.O.D. (HXV) (mm)	2/3"	WIDE	2213 × 1660
		TELE	101 × 75
	1/2"	WIDE	1609 × 1207
		TELE	73 × 55
	1/3"	WIDE	1207 × 905
		TELE	55 × 41
Back Focal Distance (in air) (mm)		35.95	
Exit Pupil Position (From Image Plane) (mm)		-103	
Filter Thread (mm)		M82 × 0.75	
Mount		C	
Mass (g)		2.3	
Standard Accessories		Conversion Cable (6-pin→4-pin) Connection Connector (4-pin, 6-pin)	
Remarks		• With Metal Mount	

Wiring



Control Mode



Controller output	Select switch position	Conversion cable (Standard accessory)
6V	6V/IND.	Not necessary
±6V	6V/COM.	Necessary
12V	12V/IND.	Not necessary
±12V	12V/COM.	Necessary

ZOOM LENSES

Accessories

Extender

Product Name	Magnification
HE15-1	1.5X
HE20-1	2X

Control Unit

Product Name	CRD-2A	CRD-2B
Operation	Zoom, Focus, Iris	
Power Source	AC 100V/120V/220V/240V 50/60Hz	

AC Power Cord

Japan	PCA-1
U.S.A./Canada	PCA-2
Continental Europe	PCA-3
Australia	PCA-4
Without AC Plug	PCA-5

Extension Cable

CRD-2A	CEC-AA102-11 (10m)	CEC-AA202-11 (20m)
CRD-2B	CEC-AB102-11 (10m)	CEC-AB202-11 (20m)