



For Security
Vari-Focal

DV2.2×4.5A-SA2

Applicable camera (model)

1	2/3	1/2	1/3	1/4
---	-----	-----	-----	-----

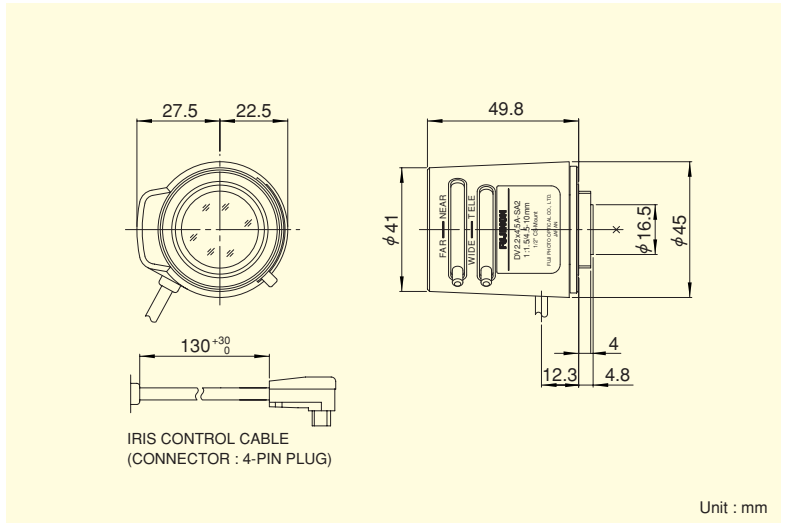


2.2x



※ Photograph is a similar model.

- Compatible with a wide range - 1/2", 1/3" and 1/4" - cameras
- Built-in ND filter of T360, supporting super sensitive cameras



VARI-FOCAL LENSES

Focal Length (mm)		4.5~10 (2.2x)	
Iris Range		F1.5 ~ T360 (Equivalent to F360)	
Operation	Zoom	Manual	
	Focus	Manual	
Angle Of View (H×V)	Iris		
	Auto (DC Type) (*1)		
Angle Of View (H×V)	1/2"	WIDE	82°58' × 60°45'
		TELE	35°35' × 26°41'
	1/3"	WIDE	60°45' × 45°03'
		TELE	26°41' × 20°01'
	1/4"	WIDE	45°03' × 33°35'
		TELE	20°01' × 15°01'
Focusing Range (From Front Of The Lens) (m)		∞ ~ 0.3	
Object Dimensions at M.O.D. (H×V) (mm)	1/2"	WIDE	547 × 363
		TELE	203 × 150
	1/3"	WIDE	363 × 261
		TELE	150 × 111
	1/4"	WIDE	261 × 190
		TELE	111 × 83
Back Focal Distance (in air) (mm)		8.34	
Exit Pupil Position (From Image Plane) (mm)		-24.9	
Filter Thread (mm)		—	
Mount		CS	
Mass (g)		70	
Coil Resistance		Drive Coil	200Ω
		Damping Coil	600Ω
Current Consumption		22mA (Max.) at DC 4V	
Remarks		(*1) When power is turned off, iris will automatically be closed. DV2.2×4.5A-SA2L : Long Cable Type (230mm)	

