



For Surveillance Telephoto Zoom

D22×9.1B-S41

Applicable camera (model)

1	2/3	1/2	1/3	1/4
---	-----	-----	-----	-----

22×



*Photograph is a similar model.

- Achieved telephoto at the field angle of 1°50', best suited for long-distance monitoring such as disaster prevention (when used on 1/2" cameras).
- With the amazing brightness of F1.2, reproducing excellent image quality over the entire visible light range.
- Multi power compatibility (6V, ±6V, 12V, ±12V), for use with existing control systems.
- Compatible with a wide range - 1/2", 1/3" and 1/4" - cameras.
- Built-in ND filter of T1500, supporting high sensitivity cameras.

ZOOM

WIDE

TELE

MOTOR DRIVE

VIDEO

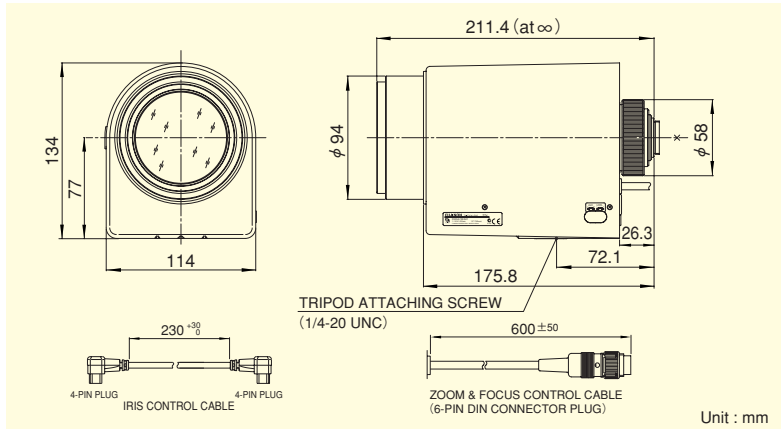
C-mt

METAL

ND

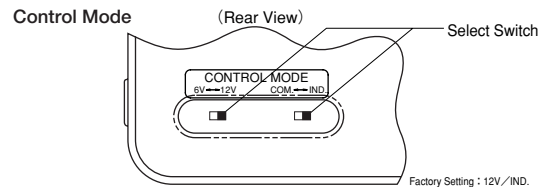
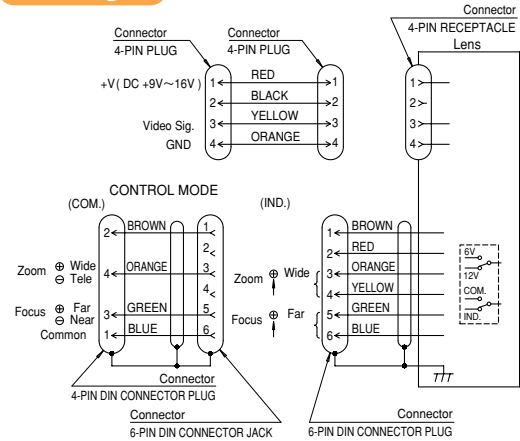
F1.2

Zoom Wide Angle Telephoto Long Focal Motor Drive Video Auto Iris C Mount Metal Mount
ND Filter Wide Aperture Rate



Focal Length (mm)		9.1~200 (22×)	
Iris Range		F1.2 ~ T1500 (Equivalent to F1500)	
Operation	Zoom	Motor Drive	
	Focus	Motor Drive	
	Iris	Auto (Video Type)	
Angle Of View (H×V)	1/2"	WIDE	38°45' × 29°33'
		TELE	1°50' × 1°23'
	1/3"	WIDE	29°33' × 22°23'
		TELE	1°23' × 1°02'
1/4"	WIDE	22°23' × 16°53'	
	TELE	1°02' × 0°46'	
Focusing Range (From Front Of The Lens) (m)		∞ ~ 3	
Object Dimensions at M.O.D. (H×V) (mm)	1/2"	WIDE	2034 × 1526
		TELE	93 × 69
	1/3"	WIDE	1526 × 1144
		TELE	69 × 52
1/4"	WIDE	1144 × 858	
	TELE	52 × 39	
Back Focal Distance (in air) (mm)		23.93	
Exit Pupil Position (From Image Plane) (mm)		-676	
Filter Thread (mm)		M82 × 0.75	
Mount		C	
Mass (kg)		2.3	
Standard Accessories		Iris Control Cable Conversion Cable (6-pin→4-pin) Connection Connector (4-pin, 6-pin)	
Remarks		• With Metal Mount	

Wiring



Controller output	Select switch position	Conversion cable (Standard accessory)
6V	6V / IND.	Not necessary
±6V	6V / COM.	Necessary
12V	12V / IND.	Not necessary
±12V	12V / COM.	Necessary

Accessories

Extender

Product Name	Magnification
HE15-1	1.5X
HE20-1	2X