



**For Security
Zoom**

Applicable camera (model)

D16×7.3B-S41

1	2/3	1/2	1/3	1/4
---	-----	-----	-----	-----

16×



*Photograph is a similar model.

ZOOM
Zoom

WIDE
Wide Angle

TELE
Telephoto
Long Focal

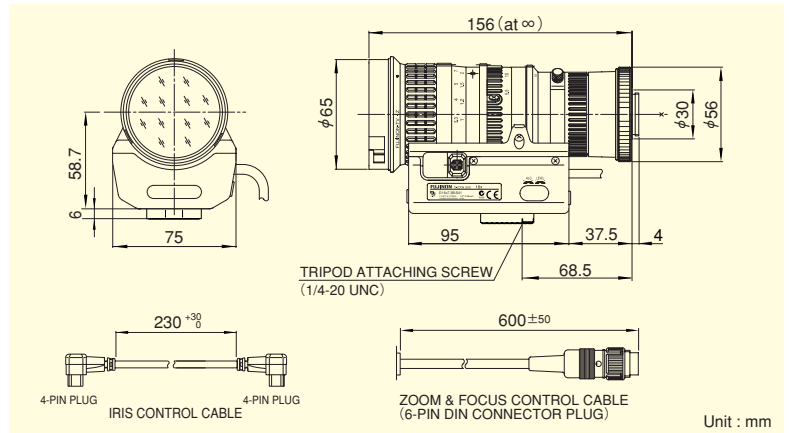
MOTOR DRIVE
Motor Drive

VIDEO
Video Auto Iris

C-mt
C Mount

METAL
Metal Mount

ND
ND Filter

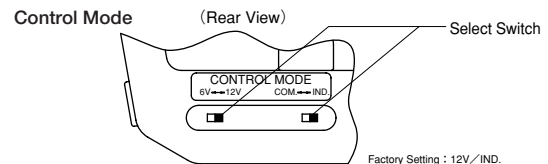
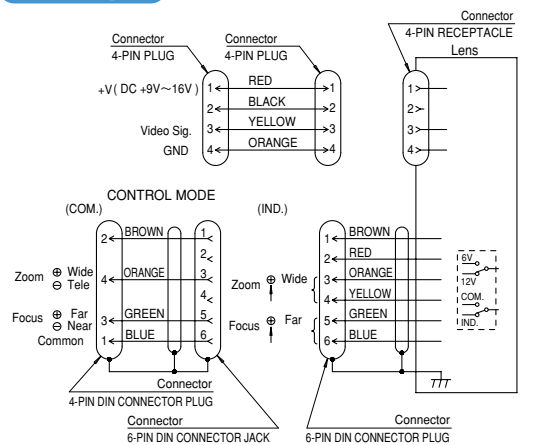


- High-power zoom lens covering wide angle and telephoto.
- Multi power compatibility (6V, $\pm 6V$, 12V, $\pm 12V$), for use with existing control systems.
- Built-in ND filter of T400, supporting high sensitivity cameras.

ZOOM LENSES

Focal Length (mm)		7.3~117 (16×)	
Iris Range		F1.9 ~ T400 (Equivalent to F400)	
Operation	Zoom	Motor Drive	
	Focus	Motor Drive	
	Iris	Auto (Video Type)	
Angle Of View (H×V)	1/2"	WIDE	47°20' × 36°24'
		TELE	3°08' × 2°21'
	1/3"	WIDE	36°24' × 27°42'
		TELE	2°21' × 1°46'
1/4"	WIDE	27°42' × 20°57'	
	TELE	1°46' × 1°19'	
Focusing Range (From Front Of The Lens) (m)		$\infty \sim 1$	
Object Dimensions at M.O.D. (H×V) (mm)	1/2"	WIDE	823 × 617
		TELE	51 × 39
	1/3"	WIDE	617 × 464
		TELE	38 × 29
1/4"	WIDE	464 × 348	
	TELE	29 × 22	
Back Focal Distance (in air) (mm)		19.50	
Exit Pupil Position (From Image Plane) (mm)		220	
Filter Thread (mm)		M62 × 0.75	
Mount		C	
Mass (g)		900	
Standard Accessories		Iris Control Cable Conversion Cable (6-pin→4-pin) Connection Connector (4-pin, 6-pin)	
Remarks		• With Metal Mount	

Wiring



Controller output	Select switch position	Conversion cable (Standard accessory)
6V	6V/IND.	Not necessary
$\pm 6V$	6V/COM.	Necessary
12V	12V/IND.	Not necessary
$\pm 12V$	12V/COM.	Necessary

Accessories

Extender

Model	Magnification
HE15-1	1.5×
HE20-1	2×