



**For Security  
Zoom**

Applicable camera (model)

# D16×7.3A-M41

|   |     |     |     |     |
|---|-----|-----|-----|-----|
| 1 | 2/3 | 1/2 | 1/3 | 1/4 |
|---|-----|-----|-----|-----|

**ZOOM**  
Zoom

**WIDE**  
Wide Angle

**TELE**  
Telephoto  
Long Focal

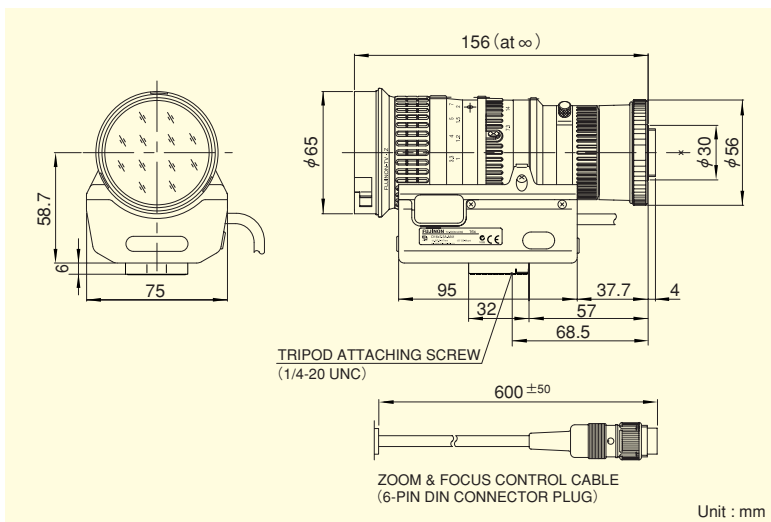
**MOTOR DRIVE**  
Motor Drive

**REMOTE**  
Remote Iris

**C-mt**  
C Mount

**METAL**  
Metal Mount

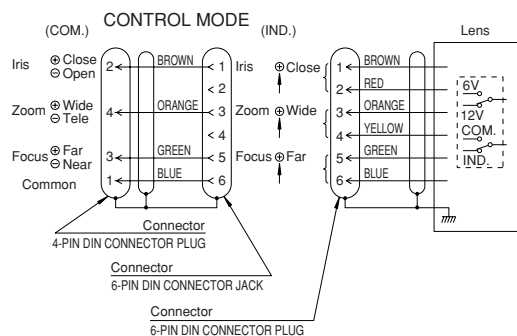
16×



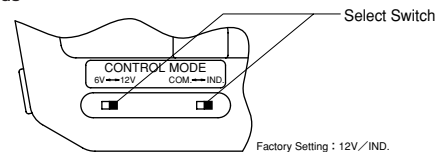
- High-powered zoom lens covering wide angle and telephoto
- Multiple power supply (6V, ±6V, 12V, ±12V) supported, enabling the use of existing control systems

|   |       |   |                 |
|---|-------|---|-----------------|
| Focal Length (mm)                           |       | 7.3~117 (16×)   |                 |
| Iris Range                                  |       | F1.9 ~ F16 · Close  |                 |
| Operation                                   | Zoom  | Motor Drive   |                 |
|   | Focus | Motor Drive   |                 |
|   | Iris  | Motor Drive   |                 |
| Angle Of View (H×V)                         | 1/2"  | WIDE  | 47°20' × 36°24' |
|   |       | TELE  | 3°08' × 2°21'   |
|   | 1/3"  | WIDE  | 36°24' × 27°42' |
|   |       | TELE  | 2°21' × 1°46'   |
|   | 1/4"  | WIDE  | 27°42' × 20°57' |
|   |       | TELE  | 1°46' × 1°19'   |
| Focusing Range (From Front Of The Lens) (m) |       | ∞ ~ 1   |                 |
| Object Dimensions at M.O.D. (H×V) (mm)      | 1/2"  | WIDE  | 823 × 617       |
|   |       | TELE  | 51 × 39         |
|   | 1/3"  | WIDE  | 617 × 464       |
|   |       | TELE  | 39 × 29         |
| 1/4"  | WIDE  | 464 × 348   |                 |
|   | TELE  | 29 × 22   |                 |
| Back Focal Distance (in air) (mm)           |       | 19.5  |                 |
| Exit Pupil Position (From Image Plane) (mm) |       | 220   |                 |
| Filter Thread (mm)                          |       | M62 × 0.75  |                 |
| Mount                                       |       | C   |                 |
| Mass (g)                                    |       | 900   |                 |
| Standard Accessories                        |       | Conversion Cable (6-pin→4-pin)<br>Connection Connector (4-pin, 6-pin) |                 |
| Remarks                                     |       | • With Metal Mount  |                 |

## Wiring



## Control Mode



| Controller output | Select switch position | Conversion cable (Standard accessory) |
|-------------------|------------------------|---------------------------------------|
| 6V                | 6V / IND.              | Not necessary                         |
| ±6V               | 6V / COM.              | Necessary                             |
| 12V               | 12V / IND.             | Not necessary                         |
| ±12V              | 12V / COM.             | Necessary                             |

ZOOM LENSES

## Accessories

### Extender

| Product Name | Magnification |
|--------------|---------------|
| HE15-1       | 1.5X          |
| HE20-1       | 2X            |

### Control Unit

| Product Name | CRD-2A                            | CRD-2B |
|--------------|-----------------------------------|--------|
| Operation    | Zoom, Focus, Iris                 |        |
| Power Source | AC 100V/120V/220V/240V<br>50/60Hz |        |

### AC Power Cord

|                    |       |
|--------------------|-------|
| Japan              | PCA-1 |
| U.S.A./Canada      | PCA-2 |
| Continental Europe | PCA-3 |
| Australia          | PCA-4 |
| Without AC Plug    | PCA-5 |

### Extension Cable

|        |                    |                    |
|--------|--------------------|--------------------|
| CRD-2A | CEC-AA102-11 (10m) | CEC-AA202-11 (20m) |
| CRD-2B | CEC-AB102-11 (10m) | CEC-AB202-11 (20m) |