



For Surveillance Telephoto Zoom

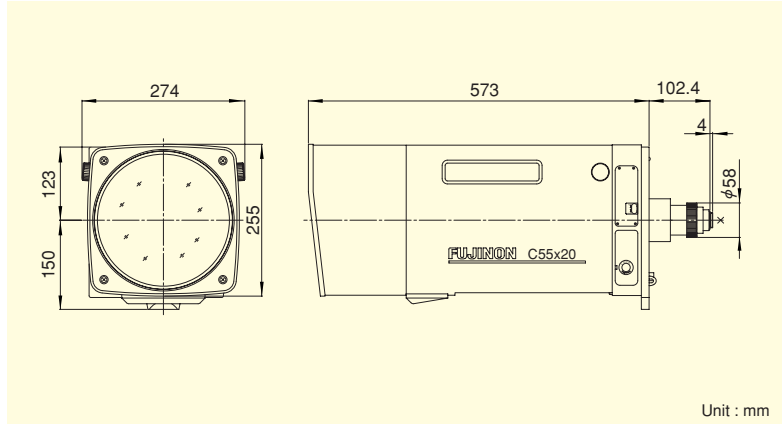
Applicable camera (model)

1	2/3	1/2	1/3	1/4
---	-----	-----	-----	-----

55x



ZOOM Zoom	WIDE Wide Angle	TELE Telephoto Long Focal	MOTOR DRIVE Motor Drive	Day~Night Day & Night	VIDEO Video Auto Iris	C-mt C Mount
METAL Metal Mount	P C PC Control	SERVO Full Servo	N D ND Filter	2 x Extender	OS-TECH Stabilize Adapter	



- 55x telephoto zoom lens with near-infrared wavelength selection mechanism, best suited for day and night cameras.
- Achieved super telephoto at the field angle of 0°10', best suited for long-distance monitoring such as gulf monitoring (when used on 1/2" cameras).
- Coating adopted, realizing the excellent brightness of F3.0 and also reproducing the high image quality with both of visible light and near-infrared light.
- Equipped with the RS-232C interface for advanced control.
- Compatible with a wide range - 1", 2/3" and 1/2" - cameras.
- Can be equipped with the stabilize adapter.

		1x		2x	
Focal Length (mm)		20~1100 (55x)		40~2200 (55x)	
Iris Range		F3.0 ~ T1500 (Equivalent to F1500)		F6.0 ~ T3000 (Equivalent to F3000)	
Operation	Zoom	Servo Control			
	Focus	Servo Control			
	Iris	Auto (Video Type) or Servo Control			
Angle Of View (HxV)	1"	WIDE	35°29' × 26°59'	18°10' × 13°41'	
		TELE	0°40' × 0°30'	0°20' × 0°15'	
	2/3"	WIDE	24°49' × 18°44'	12°25' × 9°22'	
		TELE	0°27' × 0°21'	0°44' × 0°10'	
	1/2"	WIDE	18°11' × 13°41'	9°06' × 6°52'	
		TELE	0°20' × 0°15'	0°10' × 0°08'	
Focusing Range (From Front Of The Lens) (m)		∞ ~ 2.4		∞ ~ 2.4	
Object Dimensions at M.O.D. (HxV) (mm)	1"	WIDE	1400 × 1051	700 × 525	
		TELE	25 × 19	13 × 10	
	2/3"	WIDE	963 × 723	482 × 361	
		TELE	17 × 13	9 × 7	
	1/2"	WIDE	700 × 525	350 × 263	
		TELE	13 × 10	6 × 5	
Back Focal Distance (in air) (mm)		28.04		28.04	
Exit Pupil Position (From Image Plane) (mm)		-163		-131	
Mount		C			
Extender		2x			
Mass (kg)		21			
Control Unit		CRD-40 (Option)			

Remarks

•With Metal Mount

[Electrical Specification] Power Supply : DC 12V (DC 11~16V) Current Consumption : 2.1A (Max.)

	Zoom	Focus	Iris	Extender
CONTROL SIGNAL	TELE : 2.5V WIDE : 7.5V	NEAR : 2.5V FAR : 7.5V	AUTO / VIDEO (1Vp-p) / REMOTE / OPEN:7V, CLOSE:2V	1x : ∞ 2x : +V
Current Consumption	670mA (Max.)	670mA (Max.)	100mA (Max.)	200mA (Max.)
OPERATING TIME	1s. (Max.)	1s. (Max.)	1s. (Max.)	1s. (Max.)

Accessories

- Stabilize Adapter
TS-C11

Near-infrared wavelength selected

