



**For Security  
Zoom**

Applicable camera (model)

# C55x20D-ENSE11

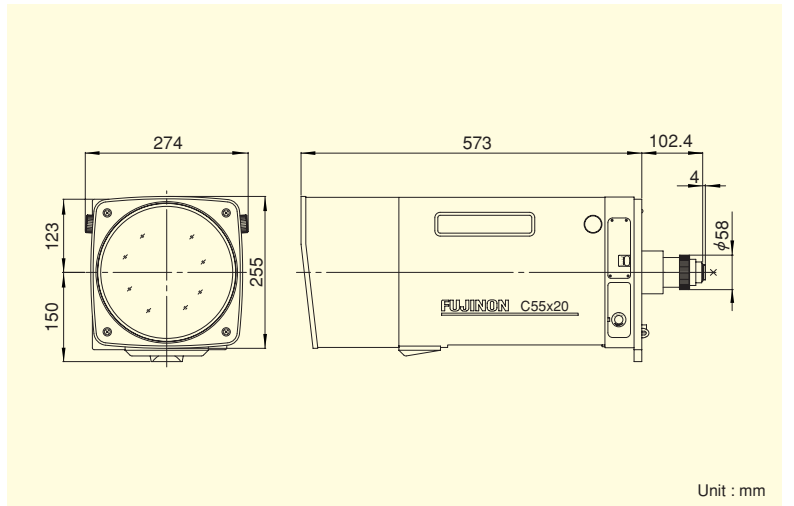
1	2/3	1/2	1/3	1/4
---	-----	-----	-----	-----

**55x**



<b>ZOOM</b> Zoom	<b>WIDE</b> Wide Angle	<b>TELE</b> Telephoto Long Focal	<b>MOTOR DRIVE</b> Motor Drive	<b>VIDEO</b> Video Auto Iris	<b>C-mt</b> C Mount	<b>METAL</b> Metal Mount
<b>PC</b> PC Control	<b>SERVO</b> Full Servo	<b>ND</b> ND Filter	<b>2x</b> Extender	<b>OS-TECH</b> Stabilize Adapter	<b>F3.0</b> Wide Aperture Rate	

- Achieved super telephoto at the field angle of 0°10', best suited for long-distance monitoring such as gulf monitoring (when used on 1/2" cameras)
- In addition to the amazing brightness of F3.0, adopting the coding to reproduce the good image quality over the entire visible light range
- Compatible with a wide range - 1", 2/3" and 1/2" - cameras
- Built-in ND filter of T1500, supporting super sensitive cameras



**ZOOM LENSES**

			1x	2x		
Focal Length (mm)			20~1100 (55x)	40~2200 (55x)		
Iris Range			F3.0 ~ T1500 (Equivalent to F1500)	F6.0 ~ T3000 (Equivalent to F3000)		
Operation	Zoom		Servo Control			
	Focus		Servo Control			
	Iris		Auto (Video Type) or Servo Control			
Angle Of View (HxV)	1"	WIDE	35°29' × 26°59'	18°10' × 13°41'		
		TELE	0°40' × 0°30'	0°20' × 0°15'		
	2/3"	WIDE	24°49' × 18°44'	12°25' × 9°22'		
		TELE	0°27' × 0°21'	0°44' × 0°10'		
	1/2"	WIDE	18°11' × 13°41'	9°06' × 6°52'		
		TELE	0°20' × 0°15'	0°10' × 0°08'		
Focusing Range (From Front Of The Lens) (m)			∞ ~ 2.4	∞ ~ 2.4		
Object Dimensions at M.O.D. (HxV) (mm)	1"	WIDE	1400 × 1051	700 × 525		
		TELE	25 × 19	13 × 10		
	2/3"	WIDE	963 × 723	482 × 361		
		TELE	17 × 13	9 × 7		
	1/2"	WIDE	700 × 525	350 × 263		
		TELE	13 × 10	6 × 5		
Back Focal Distance (in air) (mm)			28.04	28.04		
Exit Pupil Position (From Image Plane) (mm)			-163	-131		
Mount			C			
Extender			2x			
Mass (g)			20			
Control Unit			CRD-40 (Option)			
Remarks			•With Metal Mount [Electrical Specification] Power Supply : DC 12V (DC 11~16V) Current Consumption : 2.1A (Max.)			
			Zoom	Focus	Iris	Extender
CONTROL SIGNAL	TELE : 2.5V WIDE : 7.5V	NEAR : 2.5V FAR : 7.5V	AUTO / VIDEO (1Vp-p) / REMOTE / OPEN:7V, CLOSE:2V		1x : ∞ 2x : +V	
Current Consumption	670mA (Max.)	670mA (Max.)	100mA (Max.)		200mA (Max.)	
OPERATING TIME	1s. (Max.)	1s. (Max.)	1s. (Max.)		1s. (Max.)	