



## For Surveillance Telephoto Zoom

Applicable camera (model)

1	2/3	1/2	1/3	1/4
---	-----	-----	-----	-----

# C55x13.5R2G-EP1

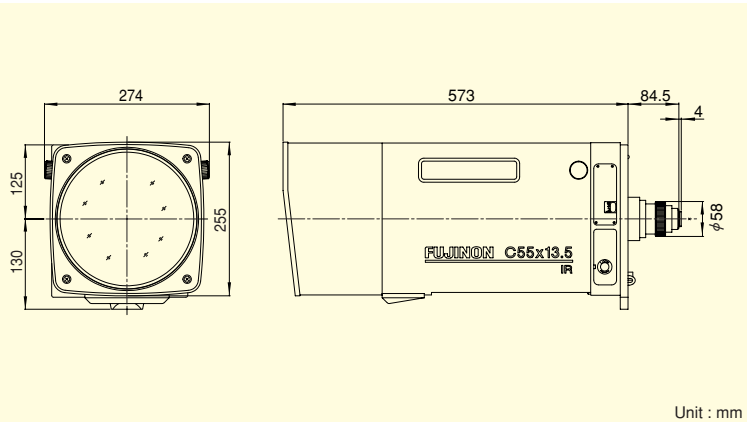
55x



\*Photograph is a similar model.

- 55x telephoto zoom lens with near-infrared wavelength selection mechanism, best suited for day and night cameras.
- Achieved super telephoto at the field angle of 0°15', best suited for long-distance monitoring such as gulf monitoring (when used on 1/2" cameras).
- In addition to the amazing brightness of F2.1, adopting the coating to reproduce the good image quality over the entire range from visible light to near-infrared light.
- Equipped with the RS-232C interface for advanced control.
- Compatible with a wide range - 1", 2/3" and 1/2" - cameras.
- Can be equipped with the stabilize adapter.

<b>ZOOM</b> Zoom	<b>WIDE</b> Wide Angle	<b>TELE</b> Telephoto Long Focal	<b>MOTOR DRIVE</b> Motor Drive	<b>Day~Night</b> Day & Night	<b>VIDEO</b> Video Auto Iris	<b>C-mt</b> C Mount
<b>METAL</b> Metal Mount	<b>PC</b> PC Control	<b>SERVO</b> Full Servo	<b>ND</b> ND Filter	<b>2x</b> Extender	<b>OS-TECH</b> Stabilize Adapter	<b>F2.1</b> Wide Aperture Rate



		1x		2x	
Focal Length (mm)		13.5~750 (55x)		27~1500 (55x)	
Iris Range		F2.1 ~ T1500 (Equivalent to F1500)		F4.2 ~ T3000 (Equivalent to F3000)	
Operation	Zoom	Servo Control			
	Focus	Servo Control			
	Iris	Auto (Video Type) or Servo Control			
Angle Of View (HxV)	1"	WIDE	50°44' × 39°09'	26°40' × 20°10'	
		TELE	0°59' × 0°44'	0°29' × 0°22'	
	2/3"	WIDE	36°06' × 27°28'	18°31' × 13°56'	
		TELE	0°40' × 0°30'	0°20' × 0°15'	
	1/2"	WIDE	26°40' × 20°10'	13°31' × 10°10'	
		TELE	0°29' × 0°22'	0°15' × 0°11'	
Focusing Range (From Front Of The Lens) (m)		∞ ~ 2.4		∞ ~ 2.4	
Object Dimensions at M.O.D. (HxV) (mm)	1"	WIDE	2075 × 1556	1038 × 778	
		TELE	38 × 28	19 × 14	
	2/3"	WIDE	1427 × 1070	713 × 535	
		TELE	26 × 19	13 × 10	
	1/2"	WIDE	1038 × 778	519 × 389	
		TELE	19 × 14	9 × 7	
Back Focal Distance (in air) (mm)		25.01		25.01	
Exit Pupil Position (From Image Plane) (mm)		-245		-141	
Mount		C			
Extender		2x			
Mass (kg)		20			
Control Unit		CRD-40 (Option)			

Remarks	•With Metal Mount				
	[Electrical Specification] Power Supply : DC 12V (DC 11~16V) Current Consumption : 2.1A (Max.)				
		Zoom	Focus	Iris	Extender
	CONTROL SIGNAL	TELE : 2.5V WIDE : 7.5V	NEAR : 2.5V FAR : 7.5V	AUTO / VIDEO (1Vp-p) / REMOTE / OPEN:7V, CLOSE:2V	1x : ∞ 2x : +V
	Current Consumption	670mA (Max.)	670mA (Max.)	100mA (Max.)	200mA (Max.)
OPERATING TIME	1s. (Max.)	1s. (Max.)	1s. (Max.)	1s. (Max.)	

### Accessories

- Stabilize Adapter  
TS-C11

### Near-infrared wavelength selected

