



For Surveillance Telephoto Zoom

C22x17R3J-SSF

Applicable camera (model)

1	2/3	1/2	1/3	1/4
---	-----	-----	-----	-----

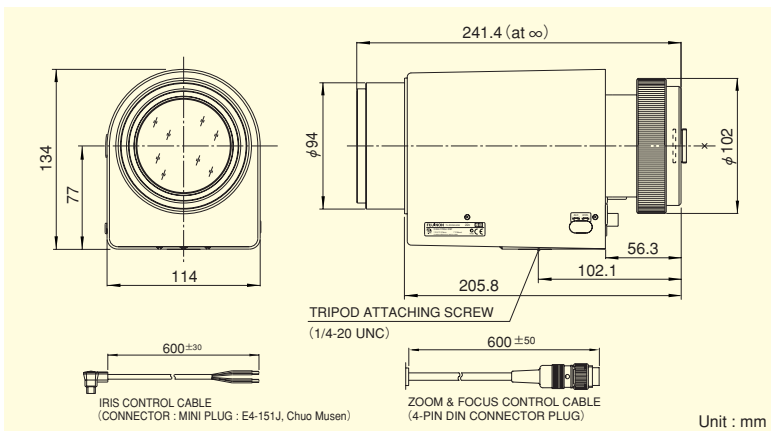
22x



*Photograph is a similar model.

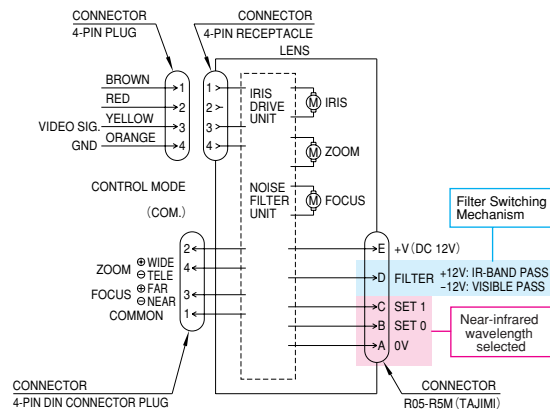
- 22x telephoto zoom lens with near-infrared wavelength selection mechanism, best suited for day and night cameras.
- Equipped with the visible/IR cut filter switch mechanism.
- Achieved telephoto at the field angle of 0°59', best suited for long-distance monitoring such as disaster prevention (when used on 1/2" cameras).
- Compatible with a wide range - 1", 2/3", 1/2" and 1/3" - cameras.

ZOOM Zoom	WIDE Wide Angle	TELE Telephoto Long Focal	MOTOR DRIVE Motor Drive	Day~Night Day & Night	VIDEO Video Auto Iris	C-mt C Mount
					METAL Metal Mount	N D ND Filter

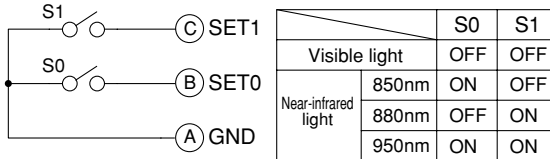


Focal Length (mm)		17~374 (22x)	
Iris Range		F2.3 ~ T3000 (Equivalent to F3000)	
Operation	Zoom	Motor Drive	
	Focus	Motor Drive	
Iris		Auto (Video Type)	
Angle Of View (HxV)	1"	WIDE	41°16' X 31°32'
		TELE	1°58' X 1°28'
	2/3"	WIDE	29°01' X 21°58'
		TELE	1°21' X 1°01'
	1/2"	WIDE	21°19' X 16°04'
		TELE	0°59' X 0°44'
	1/3"	WIDE	16°04' X 12°05'
		TELE	0°44' X 0°33'
Focusing Range (From Front Of The Lens) (m)		∞ ~ 3	
Object Dimensions at M.O.D. (HxV) (mm)	1"	WIDE	2178 X 1633
		TELE	99 X 74
	2/3"	WIDE	1497 X 1123
		TELE	68 X 51
	1/2"	WIDE	1089 X 817
		TELE	50 X 37
	1/3"	WIDE	817 X 613
		TELE	37 X 28
Back Focal Distance (in air) (mm)		67.38	
Exit Pupil Position (From Image Plane) (mm)		-127	
Filter Thread (mm)		M82 X 0.75	
Mount		C	
Mass (kg)		2.7	
Standard Accessories		Iris Control Cable Connection Connector (5-pin)	
Remarks		• With Metal Mount	

Wiring



Near-infrared wavelength selected



Accessories

Extender

Model	Magnification
HE15-1	1.5X
HE20-1	2X