



PB133F/P  
4MP HD IP Bullet Camera



PE133F/P  
4MP HD IP Eyeball Dome Camera



# FLIR IP™

## 4MP FIXED HD IP CAMERAS

The **FLIR 4MP HD IP Cameras** offer exceptional 4MP (2688×1520) resolution for an incredible level of detail, available in bullet and dome housings. True WDR capability up to 100dB ensures excellent image quality around the clock, and intelligent compression optimizes video performance based on available bandwidth. Installation is made simple with integrated PoE, allowing for single cable installation.

### HD PICTURE QUALITY

*Outstanding image detail, both day and night*

- **PB133F/P** – 4MP HD @ 20fps, 1/3" CMOS, 2.8mm lens, 90ft (27m) IR range
- **PE133F/P** – 4MP HD @ 20fps, 1/3" CMOS, 2.8mm lens, 82ft (25m) IR range

### EASY INSTALLATION

*PoE (Class 3) support for simplified cabling*

- 12V DC / PoE (802.3af) operation
- ONVIF Profile S conformance
- Simple wall / ceiling installation

### SUPERIOR PERFORMANCE

*Rugged construction with advanced video correction features*

- True Wide Dynamic Range (up to 100dB @ 3MP) provides more accurate detail in high contrast scenes
- Intelligent compression coupled with Region of Interest (ROI) optimizes video performance based on available bandwidth
- IP66 weatherproof rating with cold climate capability (-22°F / -30°C)

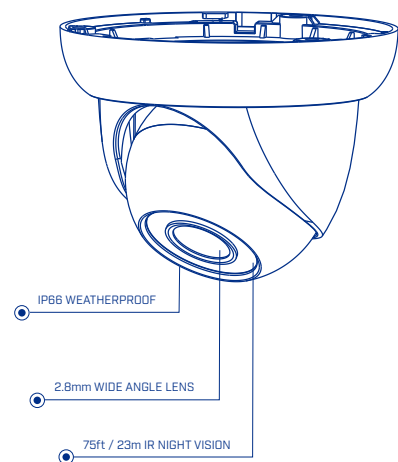
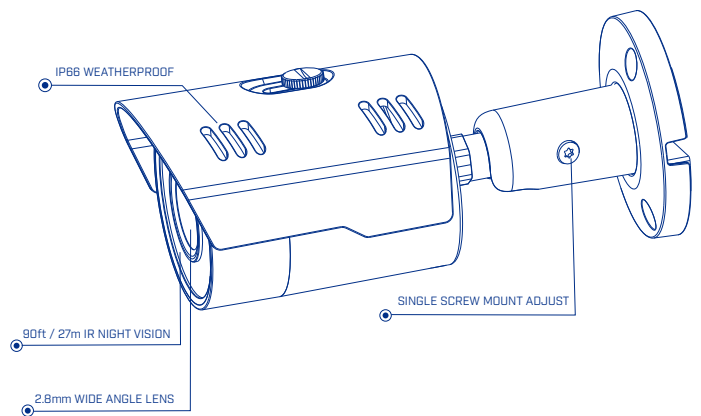
### FLIR CLOUD™ REMOTE VIEWING

*Remote access via iOS, Android, PC & Mac when connected to a FLIR NVR*

- Centralized viewing and control of up to 64 cameras on each screen with PC & Mac
- Access live or recorded video at any time on your iPad, iPhone or Android device
- Advanced mobile app features including remote playback, push notifications for motion/alarm, E-map, manual record/snapshot to device

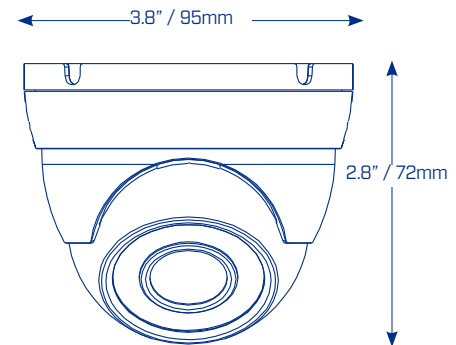
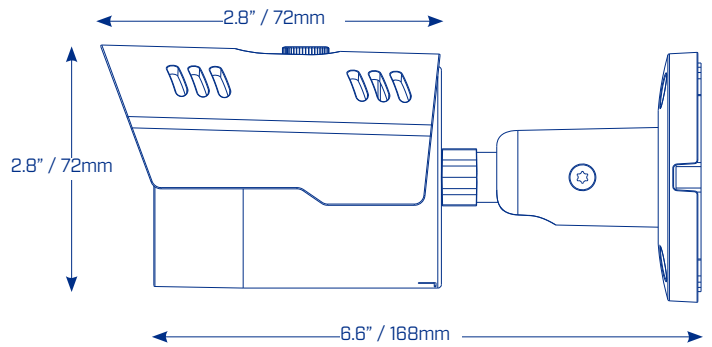
## Specifications

| Camera                          | PB133F/P   | PE133F/P   |
|---------------------------------|--|------------|
| Image Sensor                    | 1/3" 4MP   |            |
| Video Format                    | NTSC / PAL   |            |
| Effective Pixels                | H: 2688 × V: 1520  |            |
| Image Type                      | CMOS   |            |
| Image Readout                   | Progressive Scan   |            |
| Day/Night                       | Auto (ICR) / Color / B/W   |            |
| Day/Night Delay Adjustment      | Yes  |            |
| Mechanical IR Filter            | Yes  |            |
| Min. Illumination               | 0.38 lux @ F1.8 (Color), 0.28 lux @ F1.8 (B/W)   |            |
| S/N Ratio                       | ≥42dB (AGC OFF)  |            |
| Horizontal Field of View        | 90°  |            |
| IR Illumination Range           | 90ft / 27m   | 82ft / 25m |
| IR Wavelength                   | 850nm  |            |
| IR ON/OFF Control               | Yes  |            |
| Video Output                    | IP   |            |
| Electronic Shutter Range        | 1/3 (1/4) ~ 1/100,000 seconds  |            |
| <b>Optical</b>                  |  |            |
| Lens Type                       | Fixed Lens   |            |
| Lens Mount                      | Board Type   |            |
| Iris Type                       | Fixed Iris   |            |
| Focal Length                    | 2.8mm  |            |
| F-Number                        | F2.0   |            |
| Focus                           | Fixed  |            |
| <b>Video</b>                    |  |            |
| Video Compression               | H.264 / MJPEG  |            |
| Video Streams                   | H.264 // MJPEG Triple Stream   |            |
| Resolution Selection            | 4MP (2688×1520) / 3.7MP (2560×1440) / 3MP (2304×1296) / 1080p (1920×1080) / 720p (1280×720) / D1 (704×576/704×480) / CIF (352×288/352×240) |            |
| Aspect Ratio                    | 16:9   |            |
| Frame Rates (MAX)               | 4MP @ 20fps / 3MP/1080p/720p @ 25/30fps  |            |
| Bit Rate Control                | CBR / VBR  |            |
| Bit Rate Selection              | H.264: 32K ~ 10Mbps  |            |
| Quality Setting Range (Default) | 1-6 (6)  |            |
| Region of Interest              | Yes (4)  |            |
| Dynamic Range                   | Up to 100dB  |            |
| Wide Dynamic Range              | True WDR   |            |
| Backlight Compensation          | BLC / HLC  |            |
| White Balance                   | Auto / Manual  |            |
| Gain Control                    | Auto / Manual  |            |
| Noise Reduction                 | 3D-DNR   |            |
| Smart IR                        | Yes, User Adjustable   |            |
| Image Stabilization             | No   |            |
| Digital Zoom                    | 10×  |            |
| Tamper Protection               | Yes  |            |
| Adaptive Lens Correction (ALC)  | No   |            |
| Video Mirroring / Rotation      | Horizontal Mirror / Vertical Flip  |            |
| Video Overlay                   | Time / Date / Camera / Custom  |            |
| Window Blanking (Privacy)       | Up to 4 Areas  |            |
| Menu Languages                  | English  |            |



## Specifications

| Network                        | PB133F/P   | PE133F/P                |
|--------------------------------|--|-------------------------|
| Protocols                      | IPv4/IPv6, HTTP, TCP/IP, ARP, UDP, UPnP, RTSP, RTP, SMTP, NTP, DHCP, DNS, DDNS, FTP, QoS |                         |
| ONVIF Conformance              | Profile S  |                         |
| RTSP Video                     | Standard RFC2326, Support QuickTime / VLC Player   |                         |
| Unicast Users                  | Up to 20   |                         |
| Multicast Users                | Up to 20   |                         |
| <b>Mechanical</b>              |  |                         |
| Construction                   | Aluminum Alloy   |                         |
| Product Dimensions (W x H x D) | 6.6 x 2.8 x 2.8"<br>168 x 72 x 72mm  | 3.8 x 2.8"<br>95 x 51mm |
| Product Weight                 | 0.42kg / 0.85lbs   | 0.30kg / 0.65lbs        |
| <b>Electrical</b>              |  |                         |
| Network Port                   | RJ45, 10/100 Base-T  |                         |
| Power Input                    | 12V DC   |                         |
| Power over Ethernet (PoE) Type | PoE (802.3af)  |                         |
| Power Consumption              | 3.2W MAX   | 2.8W MAX                |
| Current Consumption            | 265mA MAX  | 230mA MAX               |
| Edge Storage                   | No   |                         |
| Built-in Heater                | No   |                         |
| Alarm I/O                      | No   |                         |
| <b>Environmental</b>           |  |                         |
| Storage Temperature            | -40° ~ 140°F / -40° ~ 60°C   |                         |
| Storage Humidity               | >95% RH  |                         |
| Operating Temperature          | -22° ~ 140°F / -30° ~ 60°C   |                         |
| Operating Humidity             | >95% RH  |                         |
| Cold Start Temperature         | -22°F / -30°C  |                         |
| Ingress Protection             | IP66   |                         |
| <b>Certifications</b>          |  |                         |
| Certifications                 | CE / FCC   |                         |



### Ordering Information

PB133F: 8-41430-01354-9  
 PB133FP: 8-41430-01374-7  
 PE133F: 8-41430-01355-6  
 PE133FP: 8-41430-01377-8

### Package Dimensions

PB133F/P: 8.1 x 4.2 x 3.8" / 205 x 106 x 96mm  
 PE133F/P: 5.4 x 5.4 x 4.5" / 137 x 137 x 114mm

### MARKHAM, ONTARIO

FLIR Systems, Inc.  
 250 Royal Crest Court  
 Markham, ON L3R 3S1  
 Canada  
 PH: +1 866.344.4674

### PORTLAND

Corporate Headquarters  
 FLIR Systems, Inc.  
 27700 SW Parkway Ave.  
 Wilsonville, OR 97070  
 USA  
 PH: +1 866.477.3687

[www.flir.com/security](http://www.flir.com/security)  
 NASDAQ: FLIR

Equipment described herein may require US Government authorization for export purposes. Diversion contrary to US law is prohibited. Imagery for illustration purposes only. Specifications are subject to change without notice. ©2016 FLIR Systems, Inc. All rights reserved. [Created 02/09/16]