



PE133E/P
3MP HD IP Eyeball Dome Camera

FLIR IP™

3MP FIXED HD IP EYEBALL

The **FLIR 3MP HD IP Eyeball dome** offer exceptional 3MP (2048x1536) resolution for an incredible level of detail. Installation is made simple with integrated PoE, allowing for single cable installation. Weatherproof IP66 rated housing and IR night vision make this camera suitable for almost any application.

HD PICTURE QUALITY

Outstanding image detail, both day and night

- **PE133E/P** – 3MP HD @ 25fps, 1/3" CMOS, 2.8mm lens, 75ft (23m) IR range

EASY INSTALLATION

PoE (Class 3) support for simplified cabling

- 12V DC / PoE (802.3af) operation
- Tamper detection
- ONVIF Profile S conformance

SUPERIOR PERFORMANCE

Rugged construction for all weather conditions

- Cold climate capability (-22°F / -30°C)
- IP66 weatherproof rating
- Simple wall / ceiling installation

FLIR CLOUD™ REMOTE VIEWING

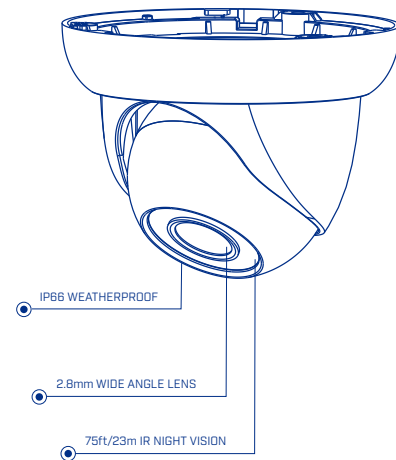
Remote access via iOS, Android, PC & Mac when connected to a FLIR NVR

- Centralized viewing and control of up to 64 cameras on each screen with PC & Mac
- Access live or recorded video at any time on your iPad, iPhone or Android device
- Advanced mobile app features including remote playback, push notifications for motion/alarm, E-map, manual record/snapshot to device



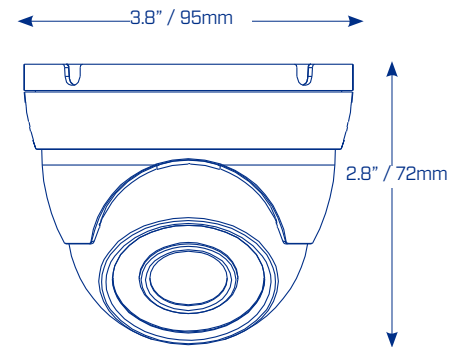
Specifications

Camera		PE133E/P
Image Sensor		1/3" 3MP
Video Format		NTSC / PAL
Effective Pixels		H: 2304 × V: 1536
Image Type		CMOS
Image Readout		Progressive Scan
Day/Night		Auto (ICR) / Color / B/W
Day/Night Delay Adjustment		Yes
Mechanical IR Filter		Yes
Min. Illumination		0.7 lux @ F2.2 (Color), 0.4 lux @ F2.2 (B/W)
S/N Ratio		≥56dB (AGC OFF)
Horizontal Field of View		75°
IR Illumination Range		75ft / 23m
IR Wavelength		850nm
IR ON/OFF Control		Yes
Video Output		IP
Electronic Shutter Range		1/3 (1/4) ~ 1/100,000 seconds
Optical		
Lens Type		Fixed Lens
Lens Mount		Board Type
Iris Type		Fixed Iris
Focal Length		2.8mm
F-Number		F2.0
Focus		Fixed
Video		
Video Compression		H.264 / MJPEG
Video Streams		H.264 / MJPEG Dual Stream
Resolution Selection		3MP (2048×1536) / 1080p (1920×1080) / 720p (1280×720) / D1 (704×576/704×480) / CIF (352×288/352×240)
Aspect Ratio		4:3
Frame Rates (MAX)		3MP @ 25fps / 1080p/720p @ 25/30fps
Bit Rate Control		CBR / VBR
Bit Rate Selection		H.264: 16K ~ 8Mbps
Quality Setting Range (Default)		1-6 (6)
Region of Interest		No
Dynamic Range		Up to 55dB
Wide Dynamic Range		D-WDR
Backlight Compensation		BLC / HLC
White Balance		Auto / Manual
Gain Control		Auto / Manual
Noise Reduction		3D-DNR
Smart IR		Yes, User Adjustable
Image Stabilization		No
Digital Zoom		10x
Tamper Protection		Yes
Adaptive Lens Correction (ALC)		No
Video Mirroring / Rotation		Horizontal Mirror / Vertical Flip
Video Overlay		Time / Date / Camera / Custom
Window Blanking (Privacy)		Up to 4 Areas
Menu Languages		English



Specifications

Network		PE133E/P
Protocols	IPv4/IPv6, HTTP, TCP/IP, ARP, UDP, UPnP, RTSP, RTP, SMTP, NTP, DHCP, DNS, DDNS, FTP, QoS	
ONVIF Conformance	Profile S	
RTSP Video	Standard RFC2326, Support QuickTime / VLC Player	
Unicast Users	Up to 10	
Multicast Users	Up to 30	
Mechanical		
Construction	Aluminum Alloy	
Product Dimensions (W x H x D)	3.8 x 2.8" / 95 x 72mm	
Product Weight	0.30kg / 0.65lbs	
Electrical		
Network Port	RJ45, 10/100 Base-T	
Power Input	12V DC	
Power over Ethernet (PoE) Type	PoE (802.3af)	
Power Consumption	2.8W MAX	
Current Consumption	230mA MAX	
Edge Storage	No	
Built-in Heater	No	
Alarm I/O	No	
Environmental		
Storage Temperature	-40° ~ 140°F / -40° ~ 60°C	
Storage Humidity	>95% RH	
Operating Temperature	-22° ~ 140°F / -30° ~ 60°C	
Operating Humidity	>95% RH	
Cold Start Temperature	-22°F / -30°C	
Ingress Protection	IP66	
Certifications		
Certifications	CE / FCC	



Ordering Information

PE133E: 8-41430-01375-4
 PE133EP: 8-41430-01376-1

Package Dimensions

PE133E/P: 5.4 x 5.4 x 4.5" / 137 x 137 x 114mm

MARKHAM, ONTARIO

FLIR Systems, Inc.
 250 Royal Crest Court
 Markham, ON L3R 3S1
 Canada
 PH: +1 866.344.4674

PORTLAND

Corporate Headquarters
 FLIR Systems, Inc.
 27700 SW Parkway Ave.
 Wilsonville, OR 97070
 USA
 PH: +1 866.477.3687

www.flir.com/security
 NASDAQ: FLIR

Equipment described herein may require US Government authorization for export purposes. Diversion contrary to US law is prohibited. Imagery for illustration purposes only. Specifications are subject to change without notice. ©2016 FLIR Systems, Inc. All rights reserved. [Created 06/27/16]