



PB133F/P
4MP HD IP Bullet Camera



PE133F/P
4MP HD IP Eyeball Dome Camera



FLIR IP™

4MP FIXED HD IP CAMERAS

The **FLIR 4MP HD IP Cameras** offer exceptional 4MP (2688×1520) resolution for an incredible level of detail, available in bullet and dome housings. True WDR capability up to 100dB ensures excellent image quality around the clock, and intelligent compression optimizes video performance based on available bandwidth. Installation is made simple with integrated PoE, allowing for single cable installation.

HD PICTURE QUALITY

Outstanding image detail, both day and night

- **PB133F/P** – 4MP HD @ 20fps, 1/3" CMOS, 2.8mm lens, 90ft (27m) IR range
- **PE133F/P** – 4MP HD @ 20fps, 1/3" CMOS, 2.8mm lens, 82ft (25m) IR range

EASY INSTALLATION

PoE (Class 3) support for simplified cabling

- 12V DC / PoE (802.3af) operation
- ONVIF Profile S conformance
- Simple wall / ceiling installation

SUPERIOR PERFORMANCE

Rugged construction with advanced video correction features

- True Wide Dynamic Range (up to 100dB @ 3MP) provides more accurate detail in high contrast scenes
- Intelligent compression coupled with Region of Interest (ROI) optimizes video performance based on available bandwidth
- IP66 weatherproof rating with cold climate capability (-22°F / -30°C)

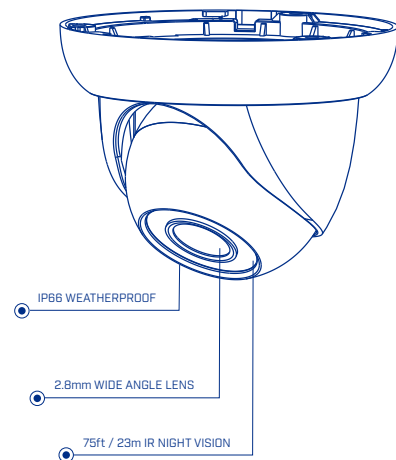
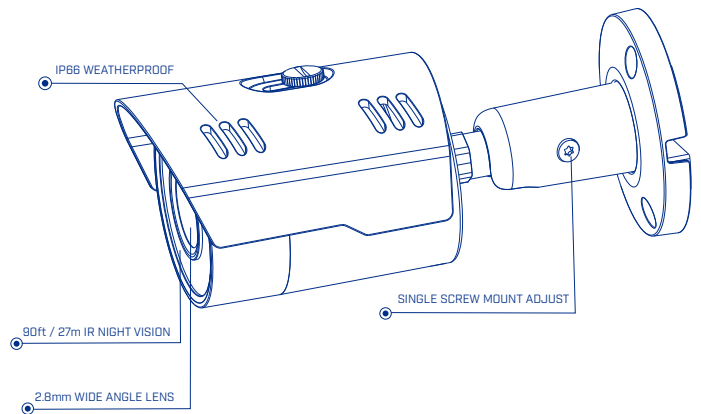
FLIR CLOUD™ REMOTE VIEWING

Remote access via iOS, Android, PC & Mac when connected to a FLIR NVR

- Centralized viewing and control of up to 64 cameras on each screen with PC & Mac
- Access live or recorded video at any time on your iPad, iPhone or Android device
- Advanced mobile app features including remote playback, push notifications for motion/alarm, E-map, manual record/snapshot to device

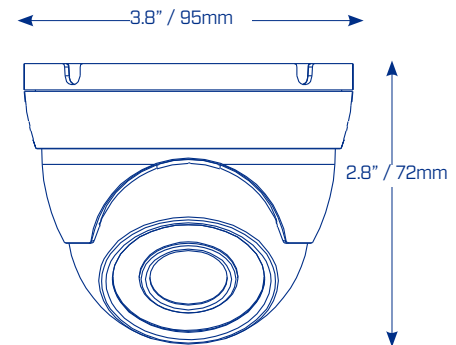
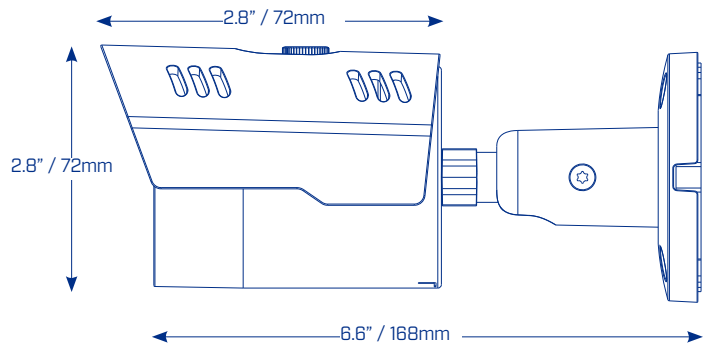
Specifications

Camera	PB133F/P	PE133F/P
Image Sensor	1/3" 4MP	
Video Format	NTSC / PAL	
Effective Pixels	H: 2688 × V: 1520	
Image Type	CMOS	
Image Readout	Progressive Scan	
Day/Night	Auto (ICR) / Color / B/W	
Day/Night Delay Adjustment	Yes	
Mechanical IR Filter	Yes	
Min. Illumination	0.38 lux @ F1.8 (Color), 0.28 lux @ F1.8 (B/W)	
S/N Ratio	≥42dB (AGC OFF)	
Horizontal Field of View	90°	
IR Illumination Range	90ft / 27m	82ft / 25m
IR Wavelength	850nm	
IR ON/OFF Control	Yes	
Video Output	IP	
Electronic Shutter Range	1/3 (1/4) ~ 1/100,000 seconds	
Optical		
Lens Type	Fixed Lens	
Lens Mount	Board Type	
Iris Type	Fixed Iris	
Focal Length	2.8mm	
F-Number	F2.0	
Focus	Fixed	
Video		
Video Compression	H.264 / MJPEG	
Video Streams	H.264 // MJPEG Triple Stream	
Resolution Selection	4MP (2688×1520) / 3.7MP (2560×1440) / 3MP (2304×1296) / 1080p (1920×1080) / 720p (1280×720) / D1 (704×576/704×480) / CIF (352×288/352×240)	
Aspect Ratio	16:9	
Frame Rates (MAX)	4MP @ 20fps / 3MP/1080p/720p @ 25/30fps	
Bit Rate Control	CBR / VBR	
Bit Rate Selection	H.264: 32K ~ 10Mbps	
Quality Setting Range (Default)	1-6 (6)	
Region of Interest	Yes (4)	
Dynamic Range	Up to 100dB	
Wide Dynamic Range	True WDR	
Backlight Compensation	BLC / HLC	
White Balance	Auto / Manual	
Gain Control	Auto / Manual	
Noise Reduction	3D-DNR	
Smart IR	Yes, User Adjustable	
Image Stabilization	No	
Digital Zoom	10×	
Tamper Protection	Yes	
Adaptive Lens Correction (ALC)	No	
Video Mirroring / Rotation	Horizontal Mirror / Vertical Flip	
Video Overlay	Time / Date / Camera / Custom	
Window Blanking (Privacy)	Up to 4 Areas	
Menu Languages	English	



Specifications

Network	PB133F/P	PE133F/P
Protocols	IPv4/IPv6, HTTP, TCP/IP, ARP, UDP, UPnP, RTSP, RTP, SMTP, NTP, DHCP, DNS, DDNS, FTP, QoS	
ONVIF Conformance	Profile S	
RTSP Video	Standard RFC2326, Support QuickTime / VLC Player	
Unicast Users	Up to 20	
Multicast Users	Up to 20	
Mechanical		
Construction	Aluminum Alloy	
Product Dimensions (W x H x D)	6.6 x 2.8 x 2.8" 168 x 72 x 72mm	3.8 x 2.8" 95 x 51mm
Product Weight	0.42kg / 0.85lbs	0.30kg / 0.65lbs
Electrical		
Network Port	RJ45, 10/100 Base-T	
Power Input	12V DC	
Power over Ethernet (PoE) Type	PoE (802.3af)	
Power Consumption	3.2W MAX	2.8W MAX
Current Consumption	265mA MAX	230mA MAX
Edge Storage	No	
Built-in Heater	No	
Alarm I/O	No	
Environmental		
Storage Temperature	-40° ~ 140°F / -40° ~ 60°C	
Storage Humidity	>95% RH	
Operating Temperature	-22° ~ 140°F / -30° ~ 60°C	
Operating Humidity	>95% RH	
Cold Start Temperature	-22°F / -30°C	
Ingress Protection	IP66	
Certifications		
Certifications	CE / FCC	



Ordering Information

PB133F: 8-41430-01354-9
 PB133FP: 8-41430-01374-7
 PE133F: 8-41430-01355-6
 PE133FP: 8-41430-01377-8

Package Dimensions

PB133F/P: 8.1 x 4.2 x 3.8" / 205 x 106 x 96mm
 PE133F/P: 5.4 x 5.4 x 4.5" / 137 x 137 x 114mm

MARKHAM, ONTARIO

FLIR Systems, Inc.
 250 Royal Crest Court
 Markham, ON L3R 3S1
 Canada
 PH: +1 866.344.4674

PORTLAND

Corporate Headquarters
 FLIR Systems, Inc.
 27700 SW Parkway Ave.
 Wilsonville, OR 97070
 USA
 PH: +1 866.477.3687

www.flir.com/security
 NASDAQ: FLIR

Equipment described herein may require US Government authorization for export purposes. Diversion contrary to US law is prohibited. Imagery for illustration purposes only. Specifications are subject to change without notice. ©2016 FLIR Systems, Inc. All rights reserved. [Created 02/09/16]