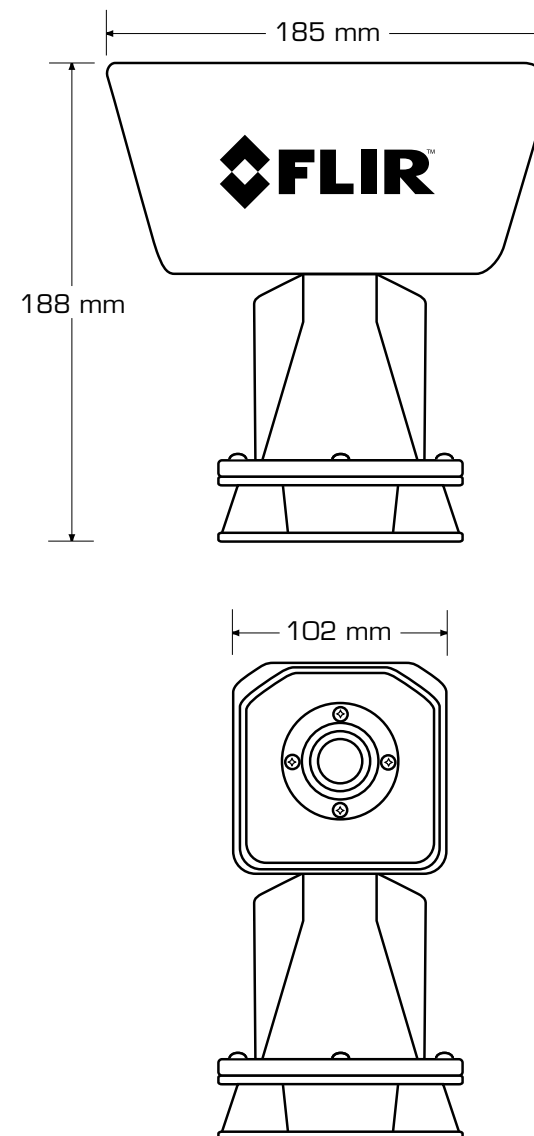


Navigator II®



Thermal Imaging Specifications	
Sensor Type	320 x 240 VOx Microbolometer
FOV	36° x 27°
Focal Length	19 mm
E-Zoom	N/A
Image Processing	FLIR DDE
Daylight Imaging Specifications	
Detector Type	N/A
System Specifications	
Size	185 mm x 102 mm x 188 mm
Weight	6 lb
Pan/Tilt Coverage	N/A
Video Output	NTSC or PAL
Connector Types	BNC with BNC-to-RCA adapter included for video out
Power Requirements	12 VDC
Power Consumption	3 W nominal, 30 W peak
Environmental	
Operating temperature range	-10°C to 55°C
Storage temperature range	-50°C to 80°C
Automatic Window defrost	Standard
Sand/dust	Mil-Std-810E
Water Ingress	IP-x6
Shock	Mil-Std-810
Vibration	Mil-Std-810E
Lightening Protection	Standard
Standard Package	Camera head with 25' power and video cables; Power Switch; Operator Manual
Warranty	2 Year
Accessories	Mounting Accessories
Range Performance†	
Detect Man (1.8 m x 0.5 m)	310 m
Detect Small Vessel (2.3 m x 2.3 m)	880 m



† = Actual object detection range performance may vary depending on camera set-up, environmental conditions, user experience, and type of display use. All specifications are subject to change without notice. Visit www.flir.com for the most up-to-date specifications.