

FLIR IP™

Fixed IP Dome Cameras



N133EB/P
1MP Fixed IR Dome IP Camera



N133ED/P
2.1MP Fixed IR Dome IP Camera



N133ED-2
2.1MP Fixed IR Dome IP Camera 2 Pack



N233EE/P
3MP Fixed IR Dome IP Camera



Available in 1MP / 2.1MP / 3MP configurations, the FLIR Fixed IR Dome IP Cameras offer HD picture quality in real time with outstanding night vision capabilities. Installation is made easy with PoE operation included. Built rugged, FLIR's Fixed IR Dome IP Cameras are suitable for both indoor and outdoor installations (IP66 rated) and cold climates (-22°F/-30°C).

HD PICTURE QUALITY

Outstanding image detail, both day and night

- N133EB - 1MP HD, 720p @ 30/25fps, 1/4" CMOS, 3.6mm lens, 70ft/21m IR
- N133ED - 2.1MP HD, 1080p @ 30/25fps, 1/3" CMOS, 3.6mm lens, 65ft/20m IR
- N233EE - 3MP HD, 3MP @ 20fps, 1/3" CMOS, 3.6mm lens, 80ft/24m IR

EASY INSTALLATION

PoE (Class 3) support for simplified cabling

- 12V / PoE (802.3af) operation
- Onvif Profile S conformance
- 3 Axis design for wall/ceiling mounting

RUGGED DESIGN

Durable weatherproof housing

- IP66 weatherproof rated
- Cold climate capable (-22°F/-30°C)
- True Day/Night with ICR, 2D-DNR, D-WDR

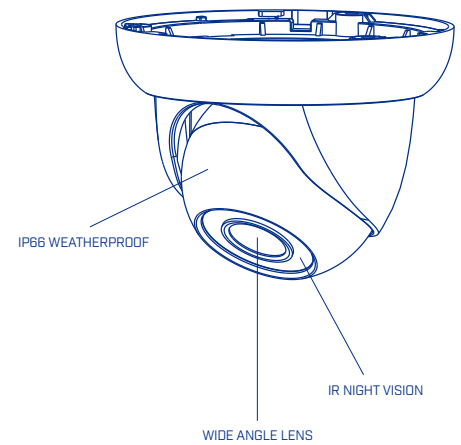
FLIR CLOUD REMOTE VIEWING

Remote access via iOS, Android, PC/Mac with FLIR Cloud

- Centralized viewing and control of up to 64 cameras on each screen with PC/Mac
- Access live or recorded video at any time on your iPad, iPhone or Android device
- Advanced mobile app features including remote playback, push notifications for motion/alarm, E-map, manual record/snapshot to device

Specifications

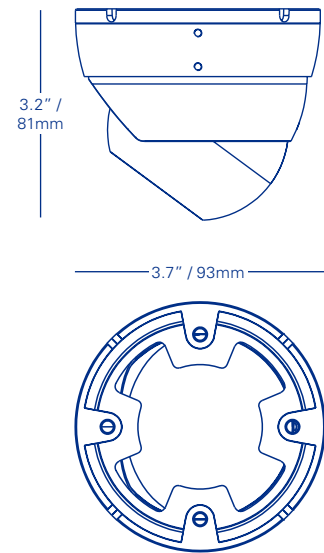
| Camera | N133EB/P | N133ED/P | N233EE/P |
|---------------------------|--|---|--|
| Imaging Device | 1 MP, 1/4" | 2.1 MP, 1/3" | 3 MP, 1/3" |
| Effective Pixels | 1280 (H) x 720 (V) | 2048 (H) x 1536 (V) | 2048 (H) x 1536 (V) |
| Image Type | CMOS | | |
| Image Readout | Progressive Scan | | |
| Day / Night | Auto(ICR)/Color/B/W | | |
| Mechanical IR Cut Filter | Yes | | |
| Min. Illumination | 0.1lux (Color) | 0.1lux (Color) | 0.01lux (Color) |
| | 0.01lux (B/W) | 0lux (B/W) | 0.005lux (B/W) |
| S/N Ratio | >50dB | | |
| Field of View (H) | 64° | 72° | 72° |
| IR Illumination | Yes, 850nm | | |
| IR On / Off Control | Yes | No | Yes |
| Video Output | RJ45 | | |
| Electronic Shutter Range | 1/4~1/10000s | | |
| Optical | | | |
| Lens Type | Fixed | | |
| Mount Type | Board type | | |
| Focal Length | 3.6mm | | |
| Aperture | F1.8 | F1.6 | F1.8 |
| Video | | | |
| Video Compression | MJPEG / H.264 | | |
| Video Streams | H.264 & MJPEG Dual Stream | | |
| Resolution Selection | 720P (1280x720) / D1 (704x576/704x480) / CIF (352x288/352x240) | 1080P (1920 x 1080) / 720P (1280 x 720) / D1 (704x576/704x480) / CIF (352x288/352x240) | 3MP (2048x1536) / 1080P (1920x1080) / 720P(1280x720) / D1 (704x480) / CIF(352x240) |
| Aspect Ratio | 16 : 9 | | |
| Frame rates (Maximum) | 720p / D1 / CIF @ 25/30 fps | 1080p / 720p / D1 / CIF @ 25/30 fps | 3 MP @ 20fps 1080p / 720p / D1 / CIF @ 25/30 fps |
| Bit Rate Control | CBR / VBR | | |
| Bit Rate Selection | Compression Type: 56K~ 8129Kbps | Compression Type: 16K~ 8192Kbps | Compression Type: 32K~ 8192Kbps |
| Wide Dynamic Range | Digital WDR | | |
| Backlight Compensation | BLC / HLC / DWDR | | |
| White Balance | Auto / Manual | | |
| Gain Control | Auto / Manual | | |
| Noise Reduction | 2D | 2D | 3D |
| Video Mirroring | Horizontal Mirror | | |
| Video Overlay | Time / Date / Camera / Custom | | |
| Window Blanking (Privacy) | Up to 4 Areas | | |
| Menu Languages | English | | |
| Network | | | |
| Protocols | IPv4 / IPv6, HTTP, HTTPS, SSL, TCP / IP, UDP, UPnP, ICMP, IGMP, SNMP, RTSP, RTP, SMTP, NTP, DHCP, DNS, PPPOE, DDNS, FTP, IP Filter, QoS, Bonjour | | |
| ONVIF Conformance | Profile S | | |
| Users | Up to 20 users | | |



Specifications

| Mechanical | N133EB/P | N133ED/P | N233EE/P |
|-------------------------------|----------|--|----------|
| Product Dimensions (Diag x H) | | up to $\Phi 3.7'' \times 3.2''$ $\Phi 93\text{mm} \times 79\text{mm}$ | |
| Product Weight | | 0.8lbs / 0.4kg | |
| Electrical | | | |
| Network Port | | 10 / 100 Base-T | |
| Power Input | | 12V DC, PoE | |
| Power Consumption (Maximum) | | 3W | |
| Current Consumption (Maximum) | | 250mA | |
| Environmental | | | |
| Operating Temperature | | -22°F ~ 140°F / -30°C ~ 60°C | |
| Operating Humidity | | Less than 95% RH | |
| Ingress Protection | | IP66 | |

Dimensions



Ordering Information

N133EB: 8-41430-01049-4
 N133ED: 8-41430-01037-1
 N133ED-2: 8-41430-01051-7
 N233EE: 8-41430-01039-5

N133EBP: 8-41430-01091-3
 N133EDP: 8-41430-01092-0
 N233EEP: 8-41430-01093-7

Package Dimensions

N133EB: 5.5 x 5.4 x 4.5" /
 136 x 137 x 113mm
 N133ED: 5.5 x 5.4 x 4.5" /
 136 x 137 x 113mm
 N133ED-2: 11 x 10.1 x 4.7" /
 279 x 257 x 118mm
 N233ED: 5.5 x 5.4 x 4.5" /
 136 x 137 x 113mm

MARKHAM, ONTARIO

FLIR Systems, Inc.
 250 Royal Crest Court
 Markham, ON L3R 3S1
 Canada
 PH: +1 866.344.4674

PORTLAND

Corporate Headquarters
 FLIR Systems, Inc.
 27700 SW Parkway Ave.
 Wilsonville, OR 97070
 USA
 PH: +1 866.477.3687

www.flir.com/security
 NASDAQ: FLIR

Equipment described herein may require US Government authorization for export purposes. Diversion contrary to US law is prohibited. Imagery for illustration purposes only. Specifications are subject to change without notice. ©2015 FLIR Systems, Inc. All rights reserved. [Created 11/19/15]