

FLIR MPX™

HD MPX Fixed Dome Cameras



M323
1MP HD MPX Fixed Dome Camera



M323PK4B
1MP HD MPX Fixed Dome Camera 4 Pack

The FLIR 1MP HD Fixed Dome MPX camera uses the latest HDCVI technology to deliver excellent 720p picture quality over coax cabling. Ideal for retrofit applications, the camera is compatible with FLIR MPX DVRs offering an upgrade to HD resolution without the hassle of running new cables.

HD PICTURE QUALITY

MPX 720p HD picture quality over existing coax

- ME323 – 1MP HD, 720p @ 25/30 fps, 1/2.9" CMOS, 3.6mm lens, 90ft / 28m IR

EASY INSTALLATION

Upgrade to HD without the expense of re-cabling

- Compatible with FLIR MPX DVRs
- Wall / ceiling mountable
- Extend video up to 1650ft/500m with a single run of RG6 coax

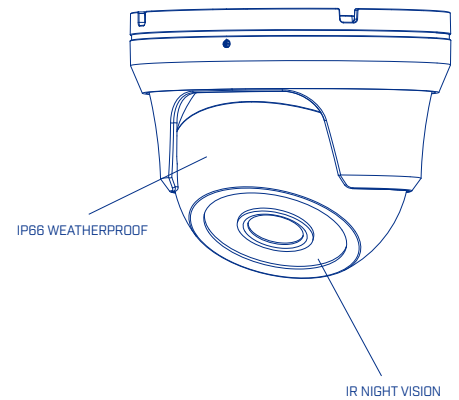
SUPERIOR PERFORMANCE

Advanced & intuitive features with rugged design

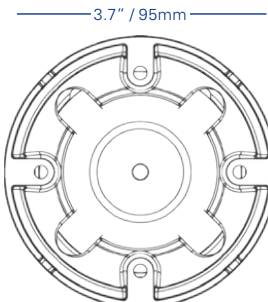
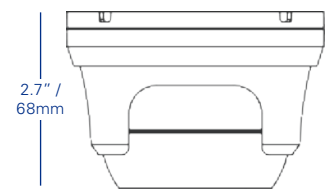
- IP66 weatherproof
- -22°F (-30°C) cold climate capable

Specifications

Camera		ME323
Imaging Device		1/2.9" 1MP
Effective Pixels		1296 (H) x 736 (V)
Image Type		CMOS
Image Readout		Progressive Scan
Day/Night		Y
Mechanical IR Cut Filter		Y
Min. Illumination		0.5 Lux @ F1.2 (Color)
S/N Ratio		40dB (AGC OFF)
Horizontal Field of View		72°
IR Illumination Range		90ft / 28m
IR Wavelength		840~850nm
Video Output		Composite 1.0Vpp @ 75ohm
Electronic Shutter Range		1/30 (1/25) ~ 1/100,000 sec.
Optical		
Lens Type		Board Type
Focal Length		3.6mm
F-Number		2.0
Zoom		N
Iris Control Type / Adjustment		Electronic / Auto or Manual
Video		
Frame rates		25/30fps
Backlight Compensation		BLC
Wide Dynamic Range		N/A
White Balance		Auto
Gain Control		AGC Auto
Noise Reduction		2D-DNR Auto
Window Blanking		N/A
Menu Languages		N/A
Mechanical		
Construction		Aluminum Alloy
Product Dimensions (Diameter x Height)		3.7 x 2.7" / 95 x 68mm
Product Weight		0.60lbs / 0.28kg
Electrical		
Power Input		12V DC ±10%
Power Consumption		3.3W
Current Consumption		270mA MAX with IR LED
Environment		
Operating Temperature		-22° ~ 140°F / -30° ~ 60°C
Operating Humidity		≤85% RH
Ingress Protection		IP66
Vandal Resistance		N
Certifications		
Certifications		FCC, CE, ROHS



Dimensions



MARKHAM, ONTARIO

FLIR Systems, Inc.
250 Royal Crest Court
Markham, ON L3R 3S1
Canada
PH: +1 866.344.4674

PORTLAND

Corporate Headquarters
FLIR Systems, Inc.
27700 SW Parkway Ave.
Wilsonville, OR 97070
USA
PH: +1 866.477.3887

www.flir.com/security
NASDAQ: FLIR

Equipment described herein may require US Government authorization for export purposes. Diversion contrary to US law is prohibited. Imagery for illustration purposes only. Specifications are subject to change without notice. ©2016 FLIR Systems, Inc. All rights reserved. (Created 09/27/16)

Ordering Information

ME323: 8-41430-01631-1
ME323PK4B: 8-41430-01349-5

Package Dimensions

ME323: 5.2 x 5.2 x 4.5" /
133 x 133 x 115mm
ME323PK4B: 8.8 x 4.5 x 8.6" /
224 x 115 x 219mm