



M31041C4 / M31041C4P
4 cameras, 4 channels, 1TB HDD



M31082C8 / M31082C8P
8 cameras, 8 channels, 2TB HDD



FLIR MPX™

Megapixel Over Coax Security Systems

The FLIR MPX M3100 Series Bundles use the latest HD-CVI technology, giving you the flexibility to upgrade security systems to HD resolution using an existing coax cable. Ideal for retrofit, upgrading to HD is now easier than ever. Plus, download the FLIR Cloud app and take advantage of remote access anywhere you go via iOS, Android, PC or Mac devices.

HIGH DEFINITION QUALITY

Experience outstanding Megapixel resolution

- 1/3" 1.0 MP IR Dome Cameras included, 3.6mm lens
- 720p (1280x720) resolution @ Real-time (30fps per channel)
- See double the detail of 960H, MPX format is compatible with HD-CVI

EASY INSTALLATION

Ideal for retrofit – upgrade to HD over existing coax

- Standard BNC connection – no networking complexities
- Upgrade analog systems to HD without the expense of re-cabling
- All-in-one DVR & Camera bundle includes the full system plus HDD

SUPERIOR PERFORMANCE

Zero latency and extended cable runs

- Smooth real-time viewing with zero video latency
- Extended cable runs of up to 2300ft (700m)
- Two-way communication over coax allows for easy connection and control of PTZ cameras (PTZ cameras sold separately)

FLIR CLOUD – QUICK & SECURE REMOTE VIEWING

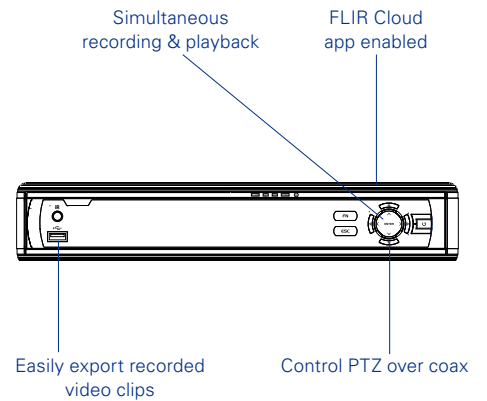
Remote access via iOS, Android, PC / Mac with FLIR Cloud

- Set up remote viewing in three easy steps: install FLIR Cloud app, scan QR code on DVR, view live video
- Multisite viewing on FLIR Cloud CMS for PC / Mac
- Cloud platform will offer premium services to receive Video Surveillance as a Service (VSaaS)

Specifications

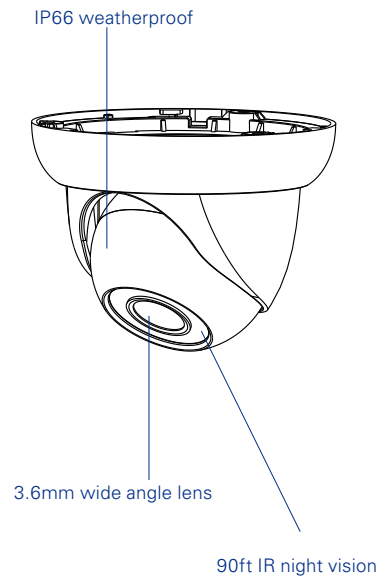
DVR Specifications System	M31041C4/P	M31082C8/P
Operating System	Linux (embedded)	
Pentaplex	Simultaneous view, record, playback, backup & remote monitoring	
Number of Channels	MPX Cameras Required	
Inputs/Outputs		
Video IN	4/8 x 1Vp-p, CVBS, 75ohms, BNC	
Video OUT	No	
VGA OUT	Yes	
HDMI	Yes	
Audio IN	Audio IN 1 channel (RCA), supports 2-way talk	
Audio OUT	Audio OUT 1 channel (RCA), supports 2-way talk	
USB Port	1 at the back, 1 at the front	
Alarm IN	None	
Alarm OUT	None	
Video Output Resolution	1920x1080 (HDMI), 1280x1024, 1024x768	
PTZ Control	RS-485 or COAX	
Display		
Live Display	1, 4	1, 4, 8, 9
Live Display Speed	120 NTSC, 100 PAL	240 NTSC, 200 PAL
OSD	ON/OFF	
System Navigation	USB mouse, IR remote controller, front panel	
Motion Area Setting	Adjustable grid (22x18)	
Sensitivity	Levels 6	
Firmware Upgrade	Automatic over the Internet & via USB device and network	
User Authority	By user group	
Time Synchronization	Auto time sync by NTP server	
Recording		
Video Compression	H.264	
Audio Compression	G.711	
Recording Resolution*	NTSC: 1080p (1920x1080), 720p (1280x720), 960x480, 704x480, 352x480, 704x240, 352x240, 176x120 PAL: 1080p (1920x1080), 720p (1280x720), 960x576, 704x576, 352x288, 176x144	
Recording Resolution Setting	Per camera for different resolutions	
Recording Quality Control	5 levels	
Recording Schedule	By hour, by day, by recording mode, by motion, by channel	
Pre Recording	Max. 30 Seconds	
Post Recording	Max. 5 Minutes	
Reliability	Watch-Dog, auto-recovery after power failure	
Covert Video	Yes	
Playback		
Playback	Channel Single channel or quad playback	
Playback Speed	Variable Max 16x	
Playback Players	Backup Player	
Search	By time & event	
Log Search	Up to 1,000 lines for motion detected, configuration changes, connects/disconnects and video loss	
Audio Play	No	
Storage & Archive		
Storage	Up to 1 HDD's (SATA)	
Maximum Capacity	Up to 1x4TB	
Backup Media	USB flash drive & HDD	
Backup File Format	DAV or ASF file	

* 1080p MPX cameras are required to take advantage of 1080p recording. You may need to upgrade the DVR firmware to enable 1080p recording.



Specifications

DVR Specifications Cont.	M31041C4/P	M31082C8/P
Connectivity		
Cloud Connection	FLIR Cloud™	
Supported Operating Systems	Windows™, Mac OSX	
Remote Software	Client Software (PC/Mac)	
Email Notification	Text with snapshot	
Instant Smart Phone & Tablet Support	iPad®, iPhone®, Android™	
DDNS Free	FLIR DDNS	
System Configuration	Full setup configuration over network	
Ports	Programmable by User	
Network Protocol	HTTP, IPv4/IPv6, TCP/IP, UPNP, RTSP, UDP, SMTP, NTP, DHCP, DNS, PPPOE, DDNS, FTP, IP Filter	
Network Interface	10/100-Base-TX, RJ-45	
Network Speed Control	48Kb ~ 8MB/sec.	
DVR General Information		
Power Consumption	Approx. 10 watts (No HDD Installed)	
Supply Voltage	100VAC-240VAC, 12VDC, 2A, 50/60Hz	
Unit Dimensions (W x D x H)	12.8" x 9.6" x 2.0" / 325mm x 245mm x 50mm	
Unit Weight	1.5 kg/3.3 Lbs	
Operating Temperature	32° ~ 104° F / 0° ~ 40° C	
Humidity	10 ~ 90% RH	
Frames Per Second	120 (720p), 60 (1080p)	480 (720p), 120 (1080p)
Camera Specifications		
Image Sensor	1/2.9" 720p Megapixel CMOS	
Video Format	NTSC	
Effective Pixels	H: 1280 V: 720	
Horizontal Resolution	900 TVL	
Scan System	Progressive	
Sync System	Internal	
S / N Ratio	50dB (AGC Off)	
Iris	AES	
AES Shutter Speed	1/60 ~ 1/100,000 sec.	
Min. Illumination	0.01 LUX (IR Off) 0 LUX (IR LEDs On)	
Video Output	Composite 1.0Vpp @ 75ohm	
Lens Focal Length / Type	3.6mm F1.2 / Fixed	
FOV (Diagonal)	90°	
Termination	BNC Type	
IR Range / Qty.	90ft / 28m; 12 IR LED's	
Power Requirement	12V DC ± 10%	
Power Consumption	200mA MAX with IR LED	
Operating Temp. Range	-22° ~ 140°F / -30° ~ 60°C	
Environmental Rating	IP66	
Dimensions	Diameter: 3.7" (94mm) Height: 3.9" (98mm)	
Weight (including stand)	0.7lbs / 0.3kg	



Ordering Information

NTSC Models

M31041C4: 8-41430-00977-1

4 cameras
4 channels
1TB HDD

M31082C8: 8-41430-00978-8

8 cameras
8 channels
2TB HDD

PAL Models

M31041C4P: 8-41430-01201-6

4 cameras
4 channels
1TB HDD

M31082C8P: 8-41430-01202-3

8 cameras
8 channels
2TB HDD

Package Dimensions

M31041C4/P: 15.3 x 10 x 12.5" /
389 x 254 x 318mm

M31082C8/P: 14.7 x 15.3 x 12.6" /
446 x 389 x 320mm

MARKHAM, ONTARIO

FLIR Systems, Inc.
250 Royal Crest Court
Markham, ON L3R 3S1
Canada
PH: +1 866.344.4674

PORTLAND

Corporate Headquarters
FLIR Systems, Inc.
27700 SW Parkway Ave.
Wilsonville, OR 97070
USA
PH: +1 866.477.3687

www.flir.com/security
NASDAQ: FLIR

Equipment described herein may require US Government authorization for export purposes. Diversion contrary to US law is prohibited. Imagery for illustration purposes only. Specifications are subject to change without notice. ©2016 FLIR Systems, Inc. All rights reserved. (Created 03/23/16)