

DIGIMERGE | Right for Business



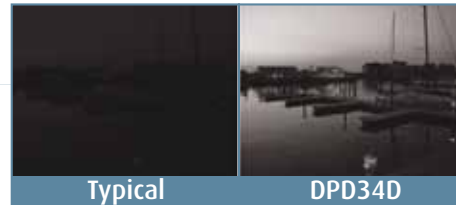
DPD34D 700+ TVL Polaris Vision Varifocal Dome Camera



The Pinnacle standard has been elevated. The DPD34D Polaris Vision Varifocal Dome Camera features the most detailed and vibrant picture quality to date utilizing the latest Sony EX-View™ II 960H CCD sensor with an Effio DSP, providing 700+ TVL resolution. Next generation Polaris Vision3 technology provides superior low light viewing and the 2.8-10.5mm Auto Iris D/N Varifocal lens ensures optimal clarity. Backed by a 5 year warranty, DPD34D incorporates Advanced Shadow Reduction, 3D-DNR, Digital Image Stabilization, and much more.

Features

- ❖ 1/3" Sony EX-View™ II 960H with Effio DSP/700+ TVL
- ❖ Next Generation Polaris Vision3 For Superior Low Light Viewing
- ❖ 2.8-10.5mm Auto Iris D/N Varifocal Lens
- ❖ Advanced 3D Digital Noise Reduction
- ❖ Advanced Shadow Reduction
- ❖ Vivid Color Reproduction
- ❖ Privacy Masking/Motion Detection
- ❖ Service Monitor Output (RCA)
- ❖ 12V DC/24V AC Operation
- ❖ Wall/Ceiling Mountable
- ❖ Surface/Semi-Flush Housing
- ❖ Junction Box Compatible (25/45/Octagon)



Typical

DPD34D

Polaris Vision3



Typical

DPD34D

3D-DNR



Typical

DPD34D

Advanced
Shadow
Reduction



Typical

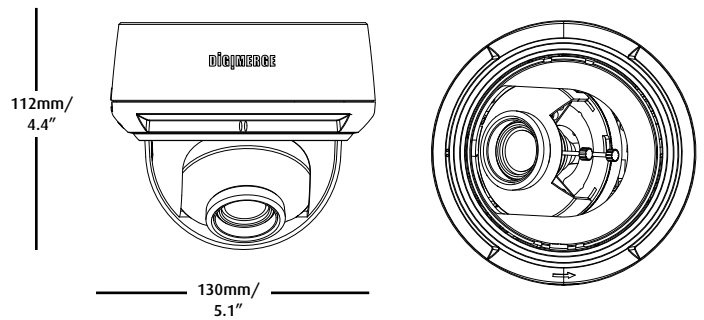
DPD34D

Digital Image
Stabilization

Specifications

Power Source:	DC 12V/AC 24V ± 10%
Power Consumption:	2.5 Watts
Minimum Power Requirement:	250mA
Image Sensor:	1/3" SONY EXview HAD CCD II™
Effective Pixels:	976 (H) x 494 (V)
Scanning System:	2:1 Interlace
Scanning Frequency:	15.734KHz (H) x 59.94Hz (V)
Sync. System:	Internal/Line Lock
Resolution:	700+ TV Lines
Min. Illumination:	0.1lux F 1.2 @ 50 IRE
Video Output:	1.0 Vp-p (75 ohm, composite)
S/N Ratio:	50dB (AGC OFF)
3D-DNR:	On/Off (Adjustable Gain)
D-WDR:	On (level selectable)/Off
BLC:	On/Off
HLC:	Auto/On/Off
Day & Night:	Color/BW/Auto
Motion Detection:	On/Off (4 Programmable zone)
Sens-up (DSS):	Auto/Off (Selectable limit 2x ~ 512x)
Privacy Masking:	On/Off (15 Programmable zone)
White Balance:	ATW/Push/User 1/User 2/Anti CR/ Push Back
Auto Gain Control:	High/Low luminance control
Electronic Shutter Speed:	Auto/Manual
Sharpness:	On/Off (level adjustable)
Flip:	Horizontal/Vertical/Both
Effect:	D-Zoom (pan/tilt)
Setup Method:	OSD setup menu
OSD Language:	English/Chinese
Power Input:	2-Pin terminal block
Video Output:	BNC Connector
Lens Mount:	Fixed mount
Lens:	2.8~10.5mm AI day/night varifocal lens
Operating Temperature:	-10°C ~ +50°C/14°F ~ 122°F
Operating Humidity:	0 ~ 90% (non-condensing)
Ingress Rating	IP66
Junction Box Compatibility	2S, 4S, Octagon (with incl. mounting adapter plate)
External Dimension:	130 x 112 mm (Bubble Diameter Ø95)
Weight:	1.0lbs/0.5kg

Dimensions



Product Information

UPC:	8-41430-00744-9
Weight:	2.0lbs/0.9kg
Package Dimensions: (W x D x H)	170 x 160 x 180mm/ 6.7 x 6.3 x 7.1"
Package Cube:	0.0049 cbm/0.173cu ft

What's Included:

User Manual
RCA - BNC Test Cable
2S / 4S / Octagon Junction Box Adapter
Surface/Semi-Flush Mounting Template