

DIGIMERGE | Right for Business



DPD24W Ultra Resolution TDN WDR Varifocal Dome

Powered by
PIXIM[®]

Powered by the latest Pixim Digital Pixel System[®] technology, the DPD24W True Day/Night Varifocal Dome Camera provides an outstanding resolution of 690HTVL plus full 120dB Wide Dynamic Range. In addition to a 2.8-10.5mm Auto Iris D/N Varifocal Lens, the DPD24W utilizes an ICR mechanism to achieve maximum image clarity day or night. The Pixim solution offers the most natural colors and balanced picture including glare elimination technology.

Features

- ❖ 1/3" Pixim CMOS Sensor/690HTVL
- ❖ Full 120dB Wide Dynamic Range (WDR)
- ❖ 2.8-10.5 AI aspherical D/N varifocal lens
- ❖ True Day Night with ICR mechanism (TDN)
- ❖ Easy setup with scene presets
- ❖ 3D Digital noise reduction (3D-DNR)
- ❖ Glare elimination technology
- ❖ Privacy masking/motion detection
- ❖ 12V DC/24V AC operation
- ❖ Service monitor output
- ❖ RS485 OSD control
- ❖ Wall/ceiling mountable



Wide Dynamic Range
(under exposure)



Wide Dynamic Range
(over exposure)



Glare Elimination
Technology

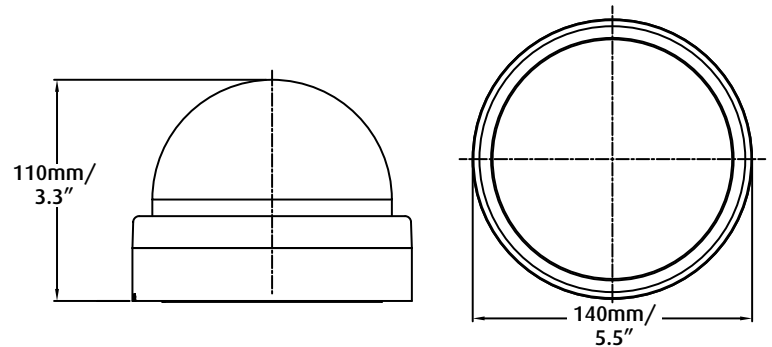


3D-DNR

Specifications

Power Source:	DC 12V / AC 24V ± 10%
Power Consumption:	4.5 W
Image Sensor:	1/3" Pixim Digital Pixel System Sensor
Effective Pixels:	758 (H) x 540 (V)
Scanning System:	2:1 Interlace
Scanning Frequency:	15.734KHz (H) x 59.94Hz (V)
Sync. System:	Internal/line lock
Resolution:	690 HTVL
Min. Illumination:	0.1Lux (50 IRE, F1.2)
Video Output:	1.0 Vp-p (75 ohm, composite)
S/N Ratio:	Up to 50dB (AGC OFF)
WDR:	Max 120dB
WDR Presets:	Normal/Indoor/Outdoor
BLC:	ON/OFF
Day & Night (True D/N):	Color/BW/Auto
Sens-up (Low Shutter Speed):	Auto/Off (Selectable limit 2x ~ 64x)
Privacy Masking:	On/Off (12 Programmable zones)
White Balance:	ATW/AWB, indoor, outdoor, manual
Auto Gain Control:	Low, middle, high, off
Flip:	Horizontal/Vertical/Both
Setup Method:	OSD setup menu
Remote OSD Control:	RS485
Power Input:	2-Pin terminal block
Video Output:	BNC Connector
Lens Mount:	Fixed mount
Lens:	2.8~10.5mm AI aspherical day/night varifocal lens
Operating Temperature:	-10°C~+50°C (14°F ~ 122°F)
Operating Humidity:	0 ~ 90% (non-condensing)
Dimensions (HxDia):	110 x 140 mm (Bubble Diameter Ø120)
Weight:	0.5kg / 1.1lbs

Dimensions



Product Information

UPC:	8-41430-00704-3
Weight:	0.6kg / 1.4lbs
Package Dimensions: (W x D x H)	154 x 149 x 130mm 6.1 x 5.9 x 5.1"
Package Cube:	0.003 cbm / 0.071cu ft

What's Included:

User Manual
BNC test cable
Mounting kit