

# DIGIMERGE | Right for Business



## DPB14TLX

# Ultra Resolution Polaris Vision TDN Varifocal IR Bullet



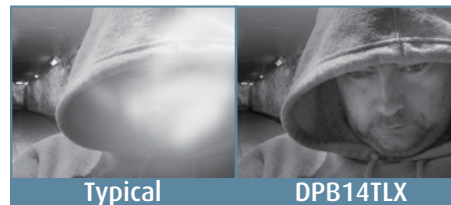
Resilient and robust, the Pinnacle DPB14TLX Bullet Camera is built to excel – even under the harshest climatic conditions. With 600 TVL Ultra Resolution, 2.8-10.5mm Auto Iris D/N Varifocal Lens, plus other advanced features common to the Pinnacle line, the DPB14TLX delivers an uncompromised quality picture. Superior night vision capabilities include Smart IR with a 135ft range, True Day/Night utilizing an ICR mechanism, plus Polaris Vision2. ArcticPro technology enables usage in the harshest of climates with a minimum operating temperature of -40°F).

## Features

- ❖ Sony Super HAD™ II/600TVL
- ❖ Advanced 3D Digital Noise Reduction (3D-DNR)
- ❖ Polaris Vision Low Light Viewing
- ❖ Smart IR Night Vision (135ft/41m)
- ❖ 2.8-10.5mm Auto Iris D/N Varifocal Lens
- ❖ True Day Night with ICR mechanism (TDN)
- ❖ Electronic Wide Dynamic Range (E-WDR)
- ❖ Highlight Compensation (HLC)
- ❖ ArcticPro technology for harsh climates (minimum operating temperature -40°F)
- ❖ Privacy Masking/Motion Detection
- ❖ 12V DC/24V AC Operation
- ❖ Service Monitor Output
- ❖ Wall/Ceiling Mountable



Polaris Vision 2



Smart-IR



Electronic Wide Dynamic Range

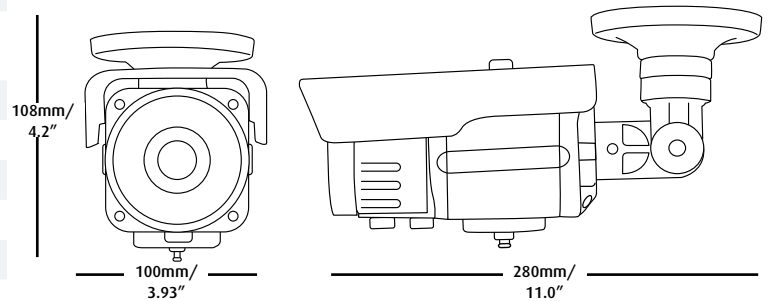


3D-DNR

# Specifications

Power Source:	DC 12V / AC 24V ± 10%
Power Consumption:	8.4 Watts
Minimum Power Requirement:	750mA (IR on)
Image Sensor:	1/3" SONY Super HAD II™ High Sensitivity Color CCD
Total Pixels:	811 (H) x 508 (V)
Effective Pixels:	768 (H) x 494 (V)
Scanning System:	2:1 Interlace
Scanning Frequency:	15.734KHz (H) x 59.94Hz (V)
Sync. System:	Internal/Line Lock
Resolution:	600 TV Lines
Min. Illumination:	0.15Lux/ F1.2(Color) 0.001Lux w/Sense-Up at x256 0Lux w/IR LED
Video Output:	1.0 Vp-p (75 ohm, composite)
S/N Ratio:	50dB (AGC OFF)
3D-DNR:	On/Off (Adjustable Gain)
E-WDR:	On (Indoor/Outdoor)/Off
BLC:	BLC/HSBLC/OFF Adjustable Size & Gain
Day & Night:	Color/BW/Auto
Motion Detection:	On/Off (4 Programmable zone)
Sens-up:	Auto/Off (Selectable limit 2x ~ 256x)
Privacy Masking:	On/Off (8 Programmable zone)
White Balance:	AWB/ATW/AWC/Manual/Indoor/ Outdoor
Auto Gain Control:	On (low/middle/high)/off
Electronic Shutter Speed:	Auto/Flickerless/Manual
Sharpness:	On/Off (level adjustable)
Flip:	Horizontal/Vertical/Rotate
Effect:	D-Zoom x32 (pan/tilt)/nega/freeze
Setup Method:	OSD setup menu
OSD Language:	English/Korean/Japanese/Chinese
Power Input:	2-Pin terminal block
Video Output:	BNC Connector
Lens Mount:	Fixed mount
Lens:	2.8~10.5mm day/night varifocal lens
Operating Temperature:	-40°C ~ -50°C / -40°F ~ -122°F
Operating Humidity:	0 ~ 90% (non-condensing)
Ingress Rating	IP66
Junction Box Compatibility	Octagon
External Dimensions:	108 x 100 x 280 mm (H x W x D)
Weight:	2.5lbs/1.2kg

## Dimensions



## Product Information

UPC:	8-41430-00682-4
Weight:	3.3lbs/1.5kg
Package Dimensions: (W x D x H)	12 x 7.3 x 6.5" / 305 x 185 x 165mm
Package Cube:	0.329cu ft/0.0093 cbm

## What's Included:

User Manual
Video Test Cable
Sunshade (attached)
Allen key