

FLIR IP™

2.1MP 30x PTZ IP Camera



DNZ30TL2R
DNZ30TL2RP

The FLIR 1080p HD 30x PTZ IP camera delivers outstanding picture quality both day and night – even in harsh weather conditions – with long range IR night vision of up to 500ft / 150m. The powerful 30x optical zoom enables clear identification over wide area applications such as parking lots, airport tarmacs, harbor fronts, or highways. DNZ30TL2R is built rugged with a weatherproof enclosure plus ArcticPro technology for harsh climates (minimum operating temperature of -40°F / -40°C). Defog enables the camera to enhance video performance and extend visibility in fog, haze or dust.

HD IN REAL TIME

Outstanding picture quality day and night

- 1080p picture quality at real-time (25/30 fps)
- 2.1 MP HD, Sony Exmor™ 1/3" CMOS Progressive Scan
- Outstanding 1080p picture quality day & night. Defog function enhances image clarity under challenging conditions

30x OPTICAL ZOOM

PTZ perimeter monitoring and identification at extended distances

- Powerful 30x optical zoom (4.3mm~129mm) for long-range identification
- High speed 240°/sec max Pan / Tilt, 360° continuous pan rotation, 90° tilt range
- Up to 255 pre-set positions, 5 auto scans, 8 tours, 5 patterns

RUGGED DESIGN

ArcticPro technology with built-in heater and IP66 weatherproof

- ArcticPro Technology for harsh climates (minimum operating temperature -40°F / -40°C)
- IP66 weatherproof. Wall mount bracket included, ceiling mount available
- 24V AC operation

FLIR CLOUD REMOTE VIEWING

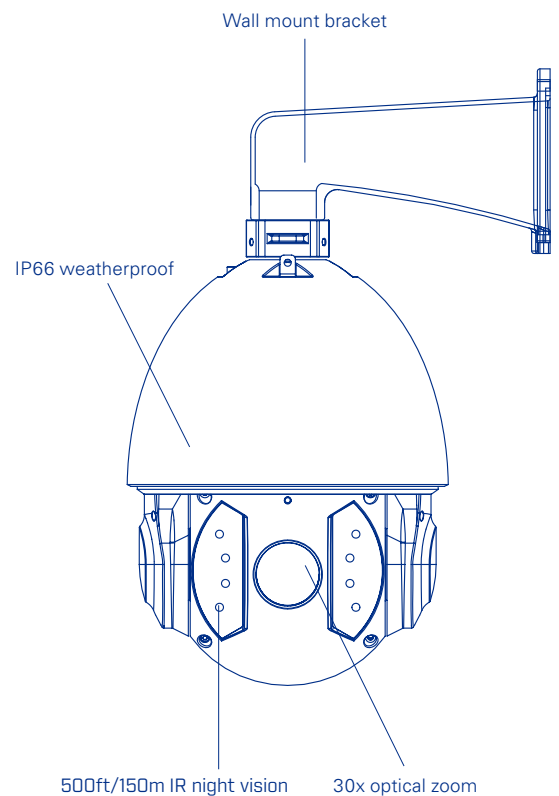
Remote access via iOS, Android, PC / Mac with FLIR Cloud™

- Centralized viewing and control of up to 64 cameras on each screen with PC / Mac
- Access live or recorded video at any time on your iPhone® / Android™ / iPad®
- Advanced mobile app features including remote playback, push notifications for motion / alarm, E-map, manual record / snapshot to device



Specifications

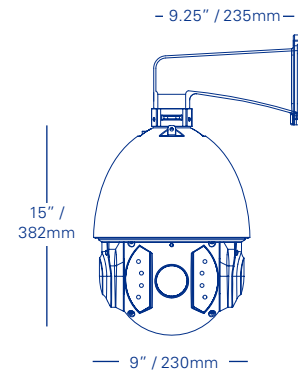
Camera	
Image Sensor:	1/3" Sony Exmor CMOS
Effective Pixels:	1944(H) x 1092(V), 2.1MP @ 25/30fps
Scanning System:	Progressive
Electronic Shutter Speed:	1/1 ~ 1/30,000S
Min. Illumination:	Color: 0.05Lux @ F1.6 B/W: 0.005 Lux @ F1.6
S/N Ratio:	More than 50dB
Video Output:	RJ45, Service BNC
Camera Features	
Day/Night:	Auto (ICR) / Color/ B/W
IR Distance:	500ft / 150m
Backlight Compensation:	BLC / HLC / E-WDR
White Balance:	Auto, ATW, Indoor, Outdoor, Manual
Gain Control:	Auto/Manual
Noise Reduction:	Ultra DNR (2D/3D)
Privacy Masking:	Up to 24 areas
Digital Zoom:	16x
Defog:	On/Off
Lens	
Focal Length:	4.3mm ~ 129mm (30x Optical Zoom)
Max Aperture:	F1.6 ~ F5.0
Focus Control:	Auto/Manual
Angle of View:	H: 58.9° ~ 2.1°
Close Focus Distance:	10mm ~ 1200mm
PTZ	
Pan/Tilt/Range:	Pan: 0° ~ 360° endless; Tilt: -10° ~ 90°, auto flip 180°
Manual Control Speed:	Pan: 0.1° ~ 200°/s; Tilt: 0.1° ~ 120°/s
Preset Speed:	Pan: 240°/s; Tilt: 200°/s
Preset:	255 (Pelco-P/D)
PTZ Mode:	5 Pattern, 8 Tour, Auto Pan, Auto Scan
Power up Action:	Auto restore to previous PTZ and lens status after power failure
Idle Motion:	Activate Preset/Pan/Scan/Tour/Pattern
Time Task:	Auto activation of Preset/Pan/Scan/Tour/Pattern by preset-time
Protocol:	Onvif via RJ45, RS485 selectable including Pelco-P/D
Audio	
Compression:	G.711a / G.711u (32kbps) / PCM (128kbps)
Interface:	1/1 channel In/Out
Video	
Compression:	H.264/MJPEG
Resolution:	1080p (1920 x 1080) / 720p (1280x720) / D1 (704x480) / CIF (352x240)
Frame Rate:	Main Stream: 1080p (1 ~ 25/30fps) Sub Stream: D1/CIF (1 ~ 25/30fps)
Bit Rate:	H.264: 56K ~ 8192Kbps, MJPEG: 56K ~ 20480Kbps



Specifications

Network	
Ethernet:	RJ-45 (10/100Base-T)
Protocol:	IPv4/IPv6, HTTP, HTTPS, SSL, TCP/IP, UDP, UPnP, ICMP, IGMP, SNMP, RTSP, RTP, SMTP, NTP, DHCP, DNS, PPPOE, DDNS, FTP, IP Filters, QoS, Bonjour, 802.1x
Compliance:	ONVIF 2.1 Profile S
Max. User Access:	20 Users
Smart Phone:	iPhone, iPad, Android
Auxiliary Interface	
Memory Slot:	Micro SD, Max 32GB (not included)
RS485:	1
Alarm:	7/2 channel In/Out
General	
Power Requirement:	24V AC, 2.5A
Power Consumption:	45W, 60W (IR on, Heater on)
Working Environment:	-40°F ~ 158°F / -40°C ~ 70°C / Less than 90% RH
Ingress Protection:	IP66
Dimensions:	ø9.9 x 15" / ø252 x 384.3 mm
Weight:	14.9lbs / 6.75kg

Dimensions



Ordering Information

DNZ30TL2R: 8-41430-00879-8
 DNZ30TL2RP: 8-41430-01098-2

Package Dimensions

DNZ30TL2R/P: 11.8 x 11.8 x 19.3" /
 300 x 300 x 490mm

MARKHAM, ONTARIO

FLIR Systems, Inc.
 250 Royal Crest Court
 Markham, ON L3R 3S1
 Canada
 PH: +1 866.344.4674

PORTLAND

Corporate Headquarters
 FLIR Systems, Inc.
 27700 SW Parkway Ave.
 Wilsonville, OR 97070
 USA
 PH: +1 866.477.3687

www.flir.com/security
 NASDAQ: FLIR

Equipment described herein may require US Government authorization for export purposes. Diversion contrary to US law is prohibited. Imagery for illustration purposes only. Specifications are subject to change without notice. ©2015 FLIR Systems, Inc. All rights reserved. [Created 07/16/15]