



DNV14UX2R
UL-Rated 2.1MP HD Varifocal IP Vandal Dome

FLIR IP™

UL-Rated 2.1MP HD Varifocal IP Vandal Dome

The 2.1MP FLIR SyncroIP Varifocal IR Vandal Dome has been ruggedized with ArcticPro technology to endure the harshest climates (minimum operating temperature of -40°F / -40°C). With UL Certification (standard 60950), DNV14UX2R is an ideal and qualified choice for projects ranging from small businesses to industrial and government applications. Future-proof your camera decision with ONVIF 2.1 compliance and compatibility with popular VMS options. DNV14UX2R offers outstanding performance with 2.1MP HD resolution (real-time 1080p), 3.3-12mm varifocal lens, 65ft (20m) IR night vision, PoE, microSD storage, multi-streaming and free mobile apps.

HD PICTURE QUALITY

Outstanding image detail, day & night

- 2.1MP HD @ 30fps, 1/2.8" CMOS sensor
- 3.3-12mm varifocal lens
- 65ft (20m) IR night vision; True Day/Night (TDN)

EASY INSTALLATION

PoE (Class 3) support for simplified cabling

- 12V DC / PoE (802.3af) operation
- Customizable field of view with varifocal lens
- 3-axis design for wall / ceiling mounting

RUGGED DESIGN

Durable, weatherproof, and cold climate ready

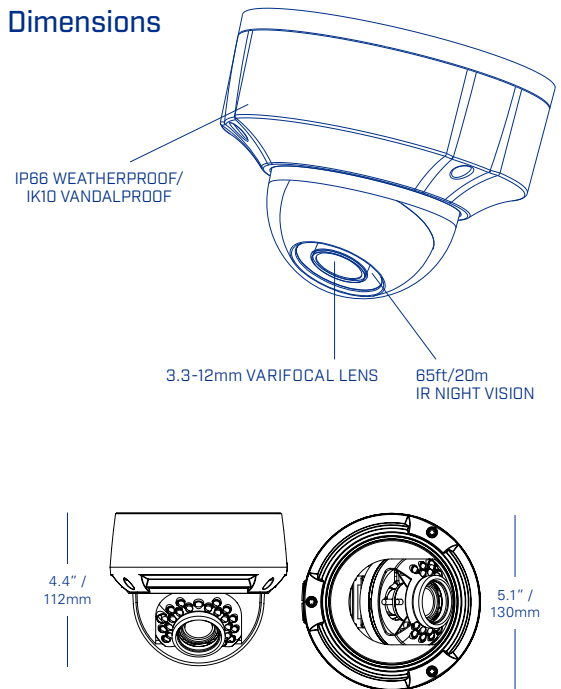
- ArcticPro technology for harsh climates (minimum operating temperature -40°F / -40°C)
- UL standard 60950 approved
- IP66 weatherproof rating & IK10 vandal resistance



Specifications

Camera		DNV14UX2R
Image Sensor		1/2.8" 2.1MP
Video Format		NTSC / PAL
Effective Pixels		H: 1920 × V: 1280
Image Type		CMOS
Image Readout		Progressive Scan
Day/Night		Yes
Mechanical IR Filter		Yes
Min. Illumination		0.1 lux @ F1.2 (Color) / 0 lux @ F1.2 (B/W)
S/N Ratio		≥40dB (AGC OFF)
Horizontal Field of View		80~30°
IR Illumination Range		65ft (20m)
IR Wavelength		850nm
Video Output		RJ45
Electronic Shutter Range		1/5 ~ 1/50,000s
Optical		
Lens Type		Board Type
Focal Length		3.3-12mm
F-Number		F1.4
Focus Control		Auto / Manual
Zoom		No
Iris Control Type / Adjustment		Electronic / Auto or Manual
Video		
Resolution		1080p
Frame Rate(s)		25/30fps
Compression		H.264 / MJPEG
Bit Rate		H.264: 50K ~ 12Mbps; MJPEG: 10K ~ 6Mbps
Backlight Compensation		BLC / HLC
Wide Dynamic Range		True WDR (up to 120dB)
White Balance		Auto / ATW / Preset / Manual
Gain Control		AGC (0-50 Selectable)
Menu Languages		English, Chinese, Russian, Polish
Network		
Ethernet		RJ45 (10/100Base-T)
Protocol		IPv4/IPv6, HTTP, HTTPS, SSL, TCP/IP, UDP, UPnP, ICMP, RTSP, NTP, DHCP, PPOE, DDNS, FTP
Compliance		ONVIF 2.1 Profile S
Max. User Access		20 Users
Remote Access		iPhone / iPad / Android / PC / Mac
Mechanical		
Construction		Aluminum Alloy
Product Dimensions (D × H)		5.1 × 4.4" / 130 × 112mm
Product Weight		1.9lbs / 0.9kg
Electrical		
Power Input		PoE (802.3af) / 12V DC
Power Consumption		7.2W
Current Consumption		600mA (12V)
Built-in Heater		No
Alarm I/O		No
Environmental		
Operating Temperature		-40° ~ 122°F / -40° ~ 50°C
Operating Humidity		≤85% RH
Ingress Protection		IP66
Vandal Resistance		IK10
CERTIFICATIONS		
Certifications		FCC, CE, RoHS, UL

Dimensions



Ordering Information

DNV14UX2R: 8-41430-01352-5

Package Dimensions

DNV14UX2R: 6.7 × 6.3 × 7.1" / 170 × 160 × 180mm

MARKHAM, ONTARIO

FLIR Systems, Inc.
250 Royal Crest Court
Markham, ON L3R 3S1
Canada
PH: +1 866.344.4674

www.flir.com/security
NASDAQ: FLIR

PORTLAND

Corporate Headquarters
FLIR Systems, Inc.
27700 SW Parkway Ave.
Wilsonville, OR 97070
USA
PH: +1 866.477.3687

Equipment described herein may require US Government authorization for export purposes. Diversion contrary to US law is prohibited. Imagery for illustration purposes only. Specifications are subject to change without notice. ©2016 FLIR Systems, Inc. All rights reserved. (Created 02/19/16)