



formerly DIGIMERGE



DNB13TL2 2.1MP HD Compact Varifocal IR Bullet IP Camera

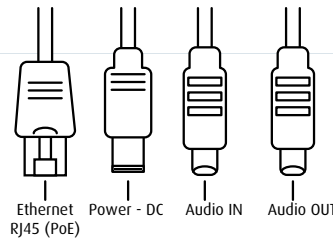


Future-proof your camera decision with the 2.1MP Compact Varifocal IR Bullet IP Camera featuring HD picture quality at real-time (1080p @ 30fps) and ONVIF 2.1 compliance (backward compatible with 1.02). DNB13TL2 is bundled with FLIR's Syncro-V client solution (36 Channel) plus Milestone's XProtect® GO (8 Channel) software, and it is also compatible with other leading VMS applications. The rugged IP66 rated camera offers exceptional video quality and performance with a 3.3-12mm varifocal lens, True Day/Night (TDN) with ICR, 100ft IR night vision, PoE, microSD storage, and multi-streaming.

Features

- ❖ 2.1 MP HD, Sony Exmor™ 1/2.8" CMOS Progressive Scan
- ❖ 1080p picture quality at real-time (30 fps)
- ❖ Triple-streaming (H.264/MJPEG)
- ❖ Futureproof ONVIF 2.1 compliance (1.02 backwards compatible)
- ❖ Compatible with popular third party VMS software
- ❖ Milestone XProtect® GO (8 Channel) VMS included plus FLIR Syncro-V
- ❖ Power-over-Ethernet (PoE) operation, 14Watt max/12V operation
- ❖ Backup options: microSD card, FTP, NAS, local
- ❖ Mobile Apps – iPhone, iPad, Android
- ❖ Supports two-way audio
- ❖ 3.3-12mm Varifocal MegaPixel lens
- ❖ 100 ft (30 m) IR Night Vision, True Day/Night (TDN)
- ❖ IP66 Weatherproof rated
- ❖ Multi-browser support: IE, Firefox, Safari, Chrome
- ❖ Free FLIR DDNS service
- ❖ Cable through bracket design
- ❖ 3 year warranty

Inputs/Outputs



Dashboard Overview



Software Included

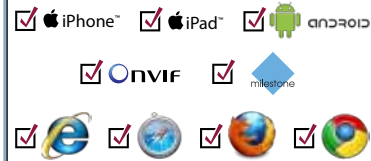
Milestone XProtect® GO (8ch)
Video Management Software



Syncro-V (36 channels)
Video Management Software



Connected



*See digimerge.com for the most updated list of third party VMS compatibility

All trademarks are property of their registered owners



Specifications

Camera

| | |
|---|---|
| Sensor/DSP: | 1/2.8" CMOS Progressive Scan |
| Day/Night: | True Day/Night with ICR Filter. High Powered IR LEDs |
| Resolutions and Max supported frame rate: | 1920x1080 Full HD 2.1MP at 30fps |
| Min. Illumination: | Color: 0.1 lux@F1.2 / (0 Lux IR LED On) |
| Lens: | 3.3-12mm Vari-focal |
| Horizontal Field of View: | 30° ~ 79° |
| IR LED: | 10pc Super Flux LEDs 850nm |
| IR Distance: | 100 feet/30 Meters |
| Video Output: | RJ45, Setup/Service BNC Video Out |
| Electronic Shutter: | Auto/User 1/5 - 1/50,0000 |

Video

| | |
|-----------------------|--|
| Compression: | H-264 High Profile (Support Baseline Profile/ MJPEG) |
| Bit Rate (CBR/VBR): | Stream1 20Kbps - 5Mbps ; Stream2 10Kbps - 6Mbps ; Stream3 (MJPEG Fixed) |
| Quality Setting: | 1 - 9 (9 Highest) |
| Multi- Streaming: | User setting of Stream 1/2 at supported Resolutions, Stream3 fixed MJPEG Stream |
| Brightness/Sharpness: | Variable 0~100/0~100 |
| Gain Control: | Auto/Fixed 8~102db |
| Orientation: | Horizontal Mirror/Vertical Flip |
| Text Overlay: | Time/Date/Camera/Custom OSD |
| Masking: | 3 User defined masking areas < 8% of total picture |

Network

| | |
|-------------------------|---|
| Ethernet: | 1 Ethernet (10/100 Base-T) RJ-45 Connector one network coupler supplied |
| TCP/IP: | IPv4/IPv6 (DHCP/Fixed) |
| Compliance: | Onvif 2.1 (1.02 backward compatible) |
| RTSP Video: | Standard RFC2326, Support QuickTime/VLC Player. User security authentication (Enabled/ Disabled) |
| Web Language: | English, Chinese, Russian, Polish |
| Recording Simultaneous: | Local microSD Memory*, Remote FTP server, TCP/UDP CMS, RTSP connection (stream 1,2 or 3) |
| Network Protocols: | HTTP, TCP/IP, UDP/IP, RTSP, FTP, DHCP, NTP, PPoE. Video streaming from SDK & NVMS/NVR software or 3rd party applications. User Ports setting for Web port, RTSP Port, and SDK Control Port and Alarm Port. |

*microSD card not included. Up to 64GB.

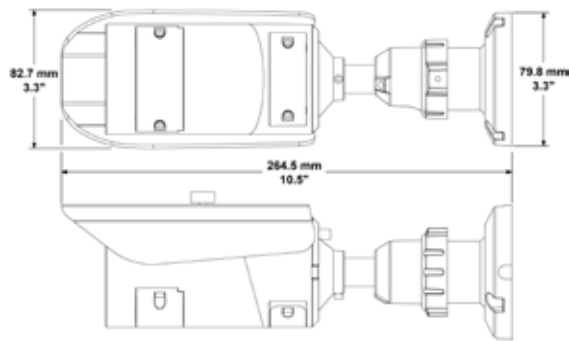
Audio

| | |
|--------------------|---|
| Input/Output: | 1 x RCA Input/1 x RCA Audio Output 1v Line Level |
| Audio Compression: | G711 A-Law, G711 U-Law, RAW_PCM |

General

| | |
|------------------------|---------------------------------|
| Power: | 12V DC, 740mA/9W |
| Power over Ethernet: | PoE Class 3, 14W max |
| Operating Temperature: | -4°F to 122°F/-20°C to 50°C |
| Operating Humidity | 10% - 85% RH |
| Approvals | CE/FCC/RoHS Compliant/IP66/IK10 |
| Product Dimensions | 10.5 x 3.3"/265 x 83mm |
| Product Weight | 0.85kg/1.9lb |

Dimensions



Product Information

| | |
|------------------------------------|--|
| UPC: | 8-41430-00872-9 |
| Weight: | 1.13kg/2.5lbs |
| Package Dimensions: (W x D x H) | 300 x 160 x 120mm 11.8 x 6.1 x 4.7" |
| Package Cube: | 0.0058 cbm/0.203cu ft |

What's Included:

| | |
|---------------------------|--|
| Software CD: | Milestone XProtect® GO Software Syncro-V Auto Port Forwarding wizard |
| User Manual | |
| Surface Mounting Template | |